

 **BOEING**
COMPONENT
MAINTENANCE MANUAL

TO: ALL HOLDERS OF ATTENDANT SEAT ASSEMBLIES COMPONENT MAINTENANCE
MANUAL 25-25-04

REVISION NO. 5 DATED JUL 01/03

HIGHLIGHTS

Pages which have been added or revised are outlined below together with the highlights of the revision. Remove and insert the affected pages as listed and enter Revision No. and date on the Record of Revision Sheet.

CHAPTER/SECTION
AND PAGE NO.

DESCRIPTION OF CHANGE

TITLE PAGE

Added new top assemblies 414T2100-40, 414T2030-16, 414T2050-19, -32, -36 with foam 414T2251-61, -146, -147, 414T2030-17, 414T2050-17.

1

301

501

REPAIR 1-1

601

REPAIR 2-1

601

REPAIR 4-1

601,603

701

1002-1022,1024,

1026-1038,1041-1042,

1044-1054,1056,

1061-1068,1071-1076,

1078-1080V

TR & SB RECORD

Added Foam 414T2045-16, 414T2251-143 and foam assemblies 414T2100-20, -24 as specified in PRR B11373, PRR 81464.

1

301

Add new top assembly 414T2025-20 with 414T2024-4 seat pan assembly.

501

701

25-25-04

HIGHLIGHTS

01.1

Page 1

Jul 01/03

 **BOEING**
COMPONENT
MAINTENANCE MANUAL

CHAPTER/SECTION
AND PAGE NO.

DESCRIPTION OF CHANGE

REPAIR-GEN
602

Updated True Positioning Dimensioning Symbols.

REPAIR 3-1
601-602

Updated Repair 3-1 to include pivot bracket assembly
414T2107-9, -10 as specified in PRR 81464.

REPAIR 4-1
601-602,604-605

Edited without technical change.

1001

Added the Introduction to the IPL to explain the use of
the IPL.

25-25-04

HIGHLIGHTS

01.1

Page 2

Jul 01/03

ATTENDANT SEAT ASSEMBLIES

PART NUMBERS 414T2100-10,-17,-21,-22,-23,
-25 THRU -27,-30,-32,-34,
-40

414T2025-2,-4,-8,-10,-11,-14,-15
-17 THRU -20,-23,-24

414T2030-2,-4,-9,-10,-12,-13,
-15,-16

414T2050-19,-21,-26,-28,-32,-33,
-36

(SP SUFFIX ON EACH DASH NUMBER)

COMPONENT MAINTENANCE MANUAL
WITH
ILLUSTRATED PARTS LIST

25-25-04

TITLE PAGE

Page 1

Jul 01/03

01.1

REVISION RECORD

- Retain this record in front of manual. On receipt of revision, insert revised pages in the manual, and enter revision number, date inserted and initial.

REVISION NUMBER	REVISION DATE	DATE FILED	BY	REVISION NUMBER	REVISION DATE	DATE FILED	BY

25-25-04

REVISION RECORD

01

Page 1

Aug 01/91

TEMPORARY REVISION AND SERVICE BULLETIN RECORD

BOEING SERVICE BULLETIN	BOEING TEMPORARY REVISION	OTHER DIRECTIVE	DATE OF INCORPORATION INTO MANUAL
		PRR 81464 PRR B11373	JUL 01/03 JUL 01/03

25-25-04

TR & SB RECORD

01.1

Page 1

Jul 01/03

PAGE	DATE	CODE	PAGE	DATE	CODE
25-25-04			REPAIR-GENERAL		
			601	AUG 01/91	01
			*602	JUL 01/03	01.1
TITLE PAGE			REPAIR 1-1		
*1	JUL 01/03	01.1	*601	JUL 01/03	01.1
2	BLANK		602	BLANK	
REVISION RECORD			REPAIR 2-1		
1	AUG 01/91	01	*601	JUL 01/03	01.1
2	BLANK		602	BLANK	
TR & SB RECORD			REPAIR 3-1		
*1	JUL 01/03	01.1	*601	JUL 01/03	01.1
2	BLANK		*602	JUL 01/03	01.1
LIST OF EFFECTIVE PAGES			REPAIR 4-1		
*1	JUL 01/03	01	*601	JUL 01/03	01.1
THRU LAST PAGE			*602	JUL 01/03	01.1
CONTENTS			*603	JUL 01/03	01.1
1	AUG 01/91	01	*604	JUL 01/03	01.1
2	BLANK		*605	JUL 01/03	01.1
INTRODUCTION			606	BLANK	
1	AUG 01/91	01	ASSEMBLY		
2	BLANK		*701	JUL 01/03	01.1
DESCRIPTION & OPERATION			702	BLANK	
1	AUG 01/91	01	ILLUSTRATED PARTS LIST		
2	BLANK		*1001	JUL 01/03	01.1
DISASSEMBLY			*1002	JUL 01/03	01.1
*301	JUL 01/03	01.1	*1003	JUL 01/03	01.1
302	BLANK		*1004	JUL 01/03	01.1
CLEANING			*1005	JUL 01/03	01.1
401	AUG 01/91	01	*1006	JUL 01/03	01.1
402	BLANK		*1007	JUL 01/03	01.1
CHECK			*1008	JUL 01/03	01.1
*501	JUL 01/03	01.1	*1009	JUL 01/03	01.1
502	BLANK		*1010	JUL 01/03	01.1
			*1011	JUL 01/03	01.1
			*1012	JUL 01/03	01.1
			*1013	JUL 01/03	01.1
			*1014	JUL 01/03	01.1

* = REVISED, ADDED OR DELETED

25-25-04

EFFECTIVE PAGES
CONTINUED Page 1
01 Jul 01/03

PAGE	DATE	CODE	PAGE	DATE	CODE
ILLUSTRATED PARTS LIST		CONT.	ILLUSTRATED PARTS LIST		CONT.
*1015	JUL 01/03	01.1	*1057	JUL 01/03	01.1
*1016	JUL 01/03	01.1	*1058	JUL 01/03	01.1
*1017	JUL 01/03	01.1	*1059	JUL 01/03	01.1
*1018	JUL 01/03	01.1	*1060	JUL 01/03	01.1
*1019	JUL 01/03	01.1	*1061	JUL 01/03	01.1
*1020	JUL 01/03	01.1	*1062	JUL 01/03	01.1
*1021	JUL 01/03	01.1	*1063	JUL 01/03	01.1
*1022	JUL 01/03	01.1	*1064	JUL 01/03	01.1
*1023	JUL 01/03	01.1	*1065	JUL 01/03	01.1
*1024	JUL 01/03	01.1	*1066	JUL 01/03	01.1
*1025	JUL 01/03	01.1	*1067	JUL 01/03	01.1
*1026	JUL 01/03	01.1	*1068	JUL 01/03	01.1
*1027	JUL 01/03	01.1	*1069	JUL 01/03	01.1
*1028	JUL 01/03	01.1	*1070	JUL 01/03	01.1
*1029	JUL 01/03	01.1	*1071	JUL 01/03	01.1
*1030	JUL 01/03	01.1	*1072	JUL 01/03	01.1
*1031	JUL 01/03	01.1	*1073	JUL 01/03	01.1
*1032	JUL 01/03	01.1	*1074	JUL 01/03	01.1
*1033	JUL 01/03	01.1	*1075	JUL 01/03	01.1
*1034	JUL 01/03	01.1	*1076	JUL 01/03	01.1
*1035	JUL 01/03	01.1	*1077	BLANK	
*1036	JUL 01/03	01.1	*1078	JUL 01/03	01.1
*1037	JUL 01/03	01.1	*1079	JUL 01/03	01.1
*1038	JUL 01/03	01.1	*1080	JUL 01/03	01.1
*1039	JUL 01/03	01.1	*1080A	JUL 01/03	01.1
*1040	JUL 01/03	01.1	*1080B	JUL 01/03	01.1
*1041	JUL 01/03	01.1	*1080C	JUL 01/03	01.1
*1042	JUL 01/03	01.1	*1080D	JUL 01/03	01.1
*1043	JUL 01/03	01.1	*1080E	JUL 01/03	01.1
*1044	JUL 01/03	01.1	*1080F	JUL 01/03	01.1
*1045	JUL 01/03	01.1	*1080G	JUL 01/03	01.1
*1046	JUL 01/03	01.1	*1080H	JUL 01/03	01.1
*1047	JUL 01/03	01.1	*1080I	JUL 01/03	01.1
*1048	JUL 01/03	01.1	*1080J	JUL 01/03	01.1
*1049	JUL 01/03	01.1	*1080K	JUL 01/03	01.1
*1050	JUL 01/03	01.1	*1080L	JUL 01/03	01.1
*1051	JUL 01/03	01.1	*1080M	JUL 01/03	01.1
*1052	JUL 01/03	01.1	*1080N	JUL 01/03	01.1
*1053	JUL 01/03	01.1	*1080O	JUL 01/03	01.1
*1054	JUL 01/03	01.1	*1080P	JUL 01/03	01.1
*1055	BLANK		*1080Q	JUL 01/03	01.1
*1056	JUL 01/03	01.1	*1080R	JUL 01/03	01.1

* = REVISED, ADDED OR DELETED

25-25-04

EFFECTIVE PAGES
 CONTINUED Page 2
 01 Jul 01/03

PAGE	DATE	CODE	PAGE	DATE	CODE
ILLUSTRATED PARTS LIST		CONT.			
*1080S	JUL 01/03	01.1			
*1080T	JUL 01/03	01.1			
*1080U	JUL 01/03	01.1			
*1080V	JUL 01/03	01.1			

* = REVISED, ADDED OR DELETED

25-25-04

EFFECTIVE PAGES
LAST PAGE Page 3
01 Jul 01/03

TABLE OF CONTENTS

<u>Paragraph Title</u>	<u>Page</u>
Description and Operation	1
Testing and Trouble Shooting (not applicable)	
Disassembly	301
Cleaning.	401
Check	501
Repair.	601
Assembly.	701
Fits and Clearances (not applicable)	
Special Tools (not applicable)	
Illustrated Parts List.	1001

INTRODUCTION

The instructions in this manual provide the information necessary to perform maintenance functions ranging from simple checks and replacement to complete shop-type repair.

This manual is divided into separate sections:

- | | |
|--|------------------------------|
| 1. Title Page | 4. List of Effective Pages |
| 2. Record of Revisions | 5. Table of Contents |
| 3. Temporary Revision &
Service Bulletin Record | 6. Introduction |
| | 7. Procedures & IPL Sections |

Refer to the Table of Contents for the page location of applicable sections. An asterisked flagnote *[] in place of the page number indicates that no special instructions are provided since the function can be performed using standard industry practices.

The beginning of the REPAIR section includes a list of the separate repairs, a list of applicable standard Boeing practices, and an explanation of the True Position Dimensioning symbols used.

An explanation of the use of the Illustrated Parts List is provided in the Introduction to that section.

All weights and measurements used in the manual are in English units, unless otherwise stated. When metric equivalents are given they will be in parentheses following the English units.

Design changes, optional parts, configuration differences and Service Bulletin modifications create alternate part numbers. These are identified in the Illustrated Parts List (IPL) by adding an alphabetical character to the basic item number. The resulting item number is called an alpha-variant. Throughout the manual, IPL basic item number references also apply to alpha-variants unless otherwise indicated.

25-25-04

INTRODUCTION

01

Page 1

Aug 01/91

ATTENDANT SEAT
ASSEMBLIES
414T2100
414T2025



ATTENDANT SEAT ASSEMBLIES

DESCRIPTION AND OPERATION

1. The attendant seat assemblies consist of various subassemblies of seat base assemblies, seat back assemblies, foam cushions and fabric covers. These subassemblies are assembled together to create an attendant seat.

25-25-04

DESCRIPTION & OPERATION

01

Page 1

Aug 01/91

DISASSEMBLY

NOTE: Disassemble this component only as necessary to complete fault isolation, determine the serviceability of parts, perform required repairs, and restore the unit to serviceable condition.

1. Parts Replacement

NOTE: The following parts are recommended for replacement. Unless otherwise noted, actual replacement of parts may be based on in-service experience.

- | A. Nuts (90, 105, IPL Fig. 1; 95, 80, IPL Fig. 2; 55, IPL Fig. 5)

2. Disassembly

- A. Disassemble the attendant seat components using standard industry practices.

NOTE: Do not disassemble bonded parts. Do not disassemble parts which are held together by rivets unless necessary for repair or replacement.

25-25-04

DISASSEMBLY

01.1

Page 301

Jul 01/03

CLEANING

1. Clean all metal parts using standard industry practices and information contained in 20-30-03.
2. Clean all plastic parts and seat coverings with mild soap and water solution.

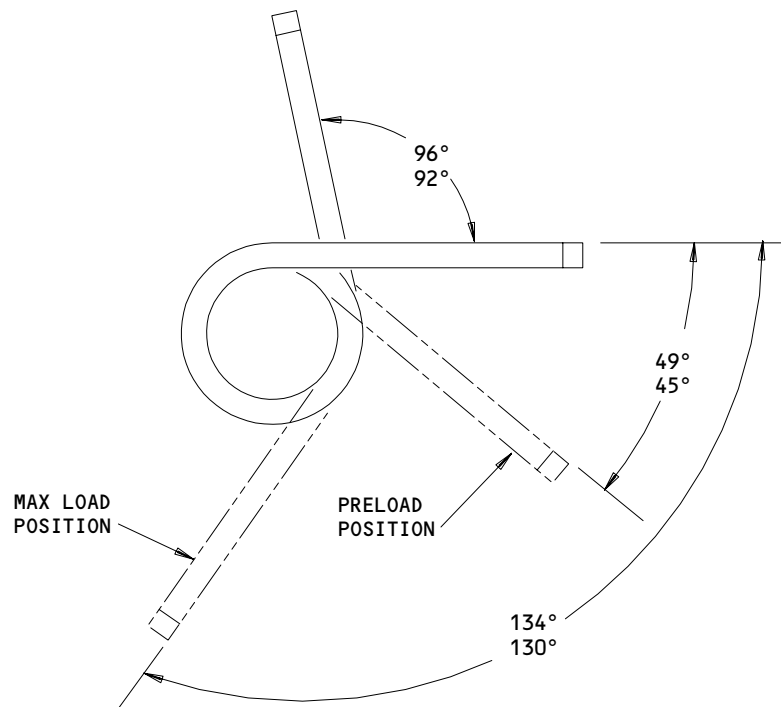
25-25-04

CLEANING
Page 401
Aug 01/91

01

CHECK

1. Check all parts for obvious defects in accordance with standard industry practices.
2. Magnetic particle check springs (160, 165, IPL Fig. 1), (130, 135, IPL Fig. 2), (90, 95, IPL Fig. 5) and (105, 110, IPL Fig. 6) per 20-20-01.
3. Check springs (160, 165, IPL Fig. 1), (130, 135, IPL Fig. 2), (90, 95, IPL Fig. 5) and (105, 110, IPL Fig. 6).
 - A. Check that moment is 22.5-27.5 lb-ins. at preload position.
 - B. Check that moment is 59.4-72.6 lb-ins. at maximum load position.



Spring Check
Figure 501

945149

25-25-04

CHECK

01.1

Page 501

Jul 01/03

REPAIR – GENERAL

1. Content

- A. Repair, refinish and replacement procedures are included in separate sections as follows:

<u>P/N</u>	<u>NAME</u>	<u>REPAIR</u>
414T2101	CAM ASSEMBLY	1-1
414T2101	SIDE RAIL ASSEMBLY	2-1
414T2107	BRACKET, PIVOT ASSEMBLY	3-1
- - -	MISC PARTS REFINISH	4-1

2. Standard Practices

- A. Refer to the following standard practices as applicable, for details of procedures in individual repairs.

20-30-02 Stripping of Protective Finishes
20-30-03 General Cleaning Procedures
20-41-01 Decoding Table for Boeing Finish Codes
20-41-02 Application of Chemical and Solvent Resistant Finishes
20-43-01 Chromic Acid Anodizing
20-50-03 Bushing Installation and Retention

3. Materials

NOTE: Equivalent substitutes may be used.

- A. Solvent -- Acetone or MEK (Ref 20-60-01)
B. Adhesive -- BMS 5-92 type 1 or type 3 (Ref 20-50-12)
C. Primer -- BMS 10-11, type 1 (Ref 20-60-02)
D. Primer -- BMS 10-83, type 1 (Ref 20-60-02)
E. Enamel -- BMS 10-83, type 2 (Ref 20-60-02)

25-25-04

REPAIR-GENERAL

01

Page 601

Aug 01/91

—	STRAIGHTNESS	⊕	THEORETICAL EXACT POSITION OF A FEATURE (TRUE POSITION)
▭	FLATNESS	∅	DIAMETER
⊥	PERPENDICULARITY (OR SQUARENESS)	S ∅	SPHERICAL DIAMETER
//	PARALLELISM	R	RADIUS
○	ROUNDNESS	SR	SPHERICAL RADIUS
⊘	CYLINDRICITY	()	REFERENCE
⌒	PROFILE OF A LINE	BASIC (BSC) OR	A THEORETICALLY EXACT DIMENSION USED TO DESCRIBE SIZE, SHAPE OR LOCATION OF A FEATURE FROM WHICH PERMISSIBLE VARIATIONS ARE ESTABLISHED BY TOLERANCES ON OTHER DIMENSIONS OR NOTES.
△	PROFILE OF A SURFACE	DIM	
◎	CONCENTRICITY	-A-	DATUM
≡	SYMMETRY	Ⓜ	MAXIMUM MATERIAL CONDITION (MMC)
∠	ANGULARITY	Ⓛ	LEAST MATERIAL CONDITION (LMC)
↗	RUNOUT	Ⓢ	REGARDLESS OF FEATURE SIZE (RFS)
↗↗	TOTAL RUNOUT	Ⓟ	PROJECTED TOLERANCE ZONE
⊐	COUNTERBORE OR SPOTFACE	FIM	FULL INDICATOR MOVEMENT
∇	COUNTERSINK		

EXAMPLES

$\boxed{\text{—} 0.002}$

STRAIGHT WITHIN 0.002

$\boxed{\text{◎} \text{∅} 0.0005 \text{ C}}$

CONCENTRIC TO C WITHIN 0.0005 DIAMETER

$\boxed{\text{⊥} 0.002 \text{ B}}$

PERPENDICULAR TO B WITHIN 0.002

$\boxed{\text{≡} 0.010 \text{ A}}$

SYMMETRICAL WITH A WITHIN 0.010

$\boxed{\text{//} 0.002 \text{ A}}$

PARALLEL TO A WITHIN 0.002

$\boxed{\text{∠} 0.005 \text{ A}}$

ANGULAR TOLERANCE 0.005 WITH A

$\boxed{\text{○} 0.002}$

ROUND WITHIN 0.002

$\boxed{\text{⊕} \text{∅} 0.002 \text{ Ⓢ} \text{ B}}$

LOCATED AT TRUE POSITION WITHIN 0.002 DIA RELATIVE TO DATUM B, REGARDLESS OF FEATURE SIZE

$\boxed{\text{⊘} 0.010}$

CYLINDRICAL SURFACE MUST LIE BETWEEN TWO CONCENTRIC CYLINDERS, ONE OF WHICH HAS A RADIUS 0.010 INCH GREATER THAN THE OTHER

$\boxed{\text{⊥} \text{∅} 0.010 \text{ Ⓜ} \text{ A}}$
 $\boxed{0.510 \text{ Ⓟ}}$

AXIS IS TOTALLY WITHIN A CYLINDER OF 0.010-INCH DIAMETER, PERPENDICULAR TO, AND EXTENDING 0.510-INCH ABOVE, DATUM A, MAXIMUM MATERIAL CONDITION

$\boxed{\text{⌒} 0.006 \text{ A}}$

EACH LINE ELEMENT OF THE SURFACE AT ANY CROSS SECTION MUST LIE BETWEEN TWO PROFILE BOUNDARIES 0.006 INCH APART RELATIVE TO DATUM PLANE A

$\boxed{2.000}$

THEORETICALLY EXACT DIMENSION IS 2.000

$\boxed{\text{▭} 0.020 \text{ A}}$

SURFACES MUST LIE WITHIN PARALLEL BOUNDARIES 0.02 INCH APART AND EQUALLY DISPOSED ABOUT TRUE PROFILE

OR
 $\boxed{2.000}$
 BSC

NOTE: DATUM MAY APPEAR AT EITHER SIDE OF TOLERANCE FRAME

$\boxed{0.020 \text{ A}}$

$\boxed{\text{A} 0.020}$

True Position Dimensioning Symbols
 Figure 601

25-25-04

REPAIR-GENERAL

01.1

Page 602

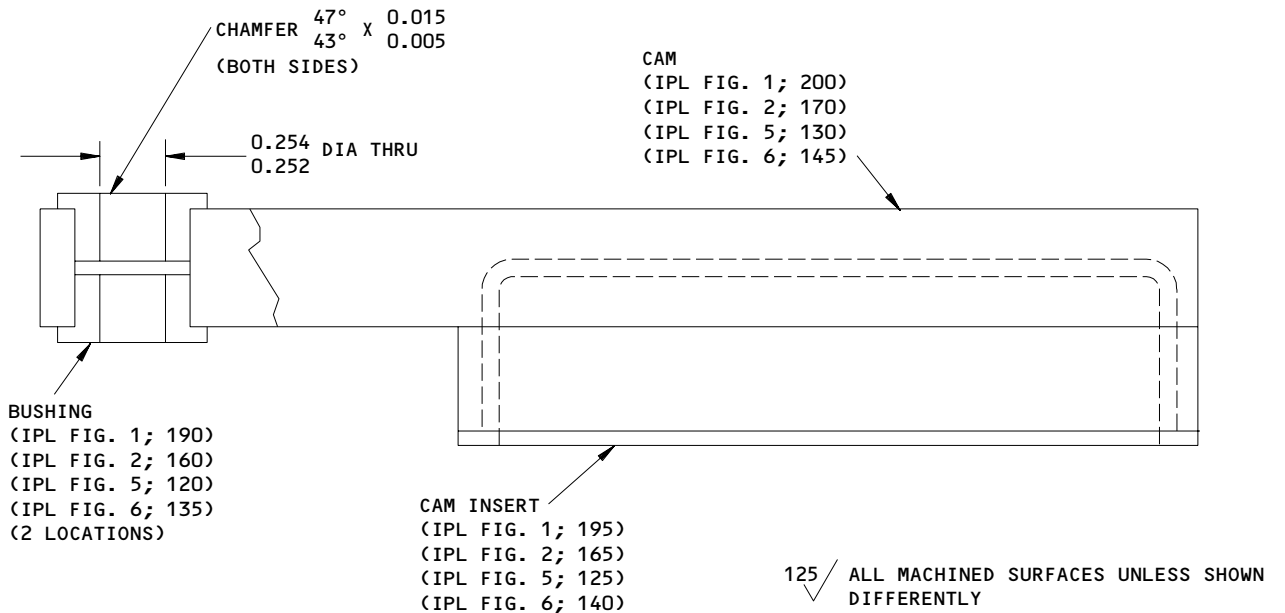
Jul 01/03

CAM ASSY - REPAIR 1-1
414T2101-1, -2, -5

NOTE: Refer to REPAIR-GEN for list of applicable standard practices. For repair of surfaces which may only require stripping and restoration of original finish, refer to REFINISH instruction, Fig. 601.

1. Bushing Replacement (Fig. 601)

- A. Remove bushing.
- B. Apply adhesive to bushing per 20-50-12 and install per 20-50-03. Machine bushing to dimension shown.



ALL DIMENSIONS ARE IN INCHES

414T2101-1 SHOWN
Bushing Replacement
Figure 601

945976

25-25-04

REPAIR 1-1

01.1

Page 601

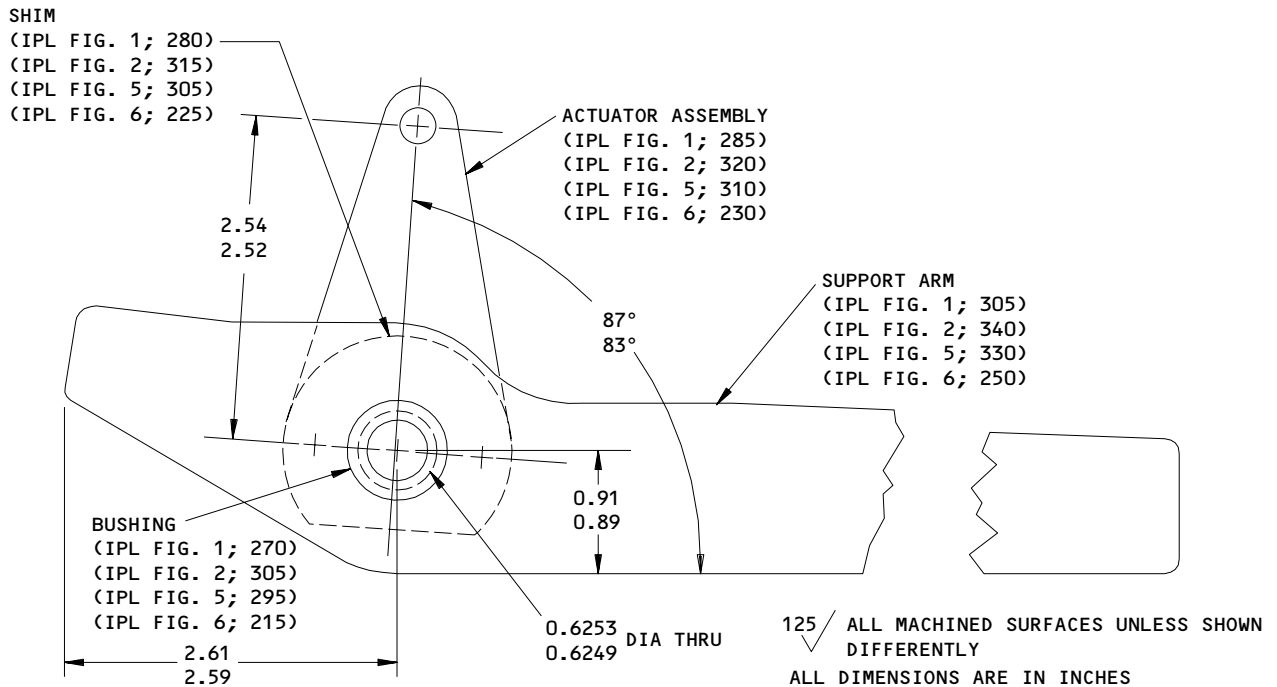
Jul 01/03

SIDE RAIL ASSY – REPAIR 2-1
414T2101-24, -25

NOTE: Refer to REPAIR-GEN for list of applicable standard practices.

1. Parts Replacement (Fig. 601)

- A. Remove rivets (275, IPL Fig. 1), (310, IPL Fig. 2), (300, IPL Fig. 5) or (220, IPL Fig. 6) shim (280, IPL Fig. 1), (315, IPL Fig. 2), (305, IPL Fig. 5) or (225, IPL Fig. 6) as required.
- B. Remove bushing (270, IPL Fig. 1), (305, IPL Fig. 2), (245, IPL Fig. 5) or (215, IPL Fig. 6) as required.
- C. Position cam actuator assembly and shim on support arm (305, IPL Fig. 1), (340, IPL Fig. 2), (330, IPL Fig. 5) or (250, IPL Fig. 6) and secure with rivets.
- D. Drill 0.6249-0.6253 in. dia. hole thru support arm, shim and cam actuator assembly at location indicated.
- E. Install bushing per 20-50-03.



414T2101-24 SHOWN
Parts Replacement
Figure 601

25-25-04

REPAIR 2-1

01.1

Page 601

Jul 01/03

PIVOT BRACKET ASSY REPAIR 3-1
414T2107-3 THRU -10

NOTE: Refer to REPAIR-GEN for list of applicable standard practices. For repair of surfaces which may only require stripping and restoration of original finish, refer to REFINISH instruction, Fig. 601.

1. Bushing Replacement (Fig. 601)

- A. Remove bushings (215, 220, 225, 230A, IPL Fig. 1), (195, 200, 205, 210, IPL Fig. 2), (165, 170, 175, 180, IPL Fig. 5) and (160, 165, 170, 175, IPL Fig. 6).
- B. Install bushings using shrink fit method per 20-50-03.
- C. Drill hole thru bushing (215, IPL Fig. 1), (195, IPL Fig. 2), (165, IPL Fig. 5) and (160, IPL Fig. 6) as indicated, if required.
- D. Machine bushings I.D. to dimensions shown.

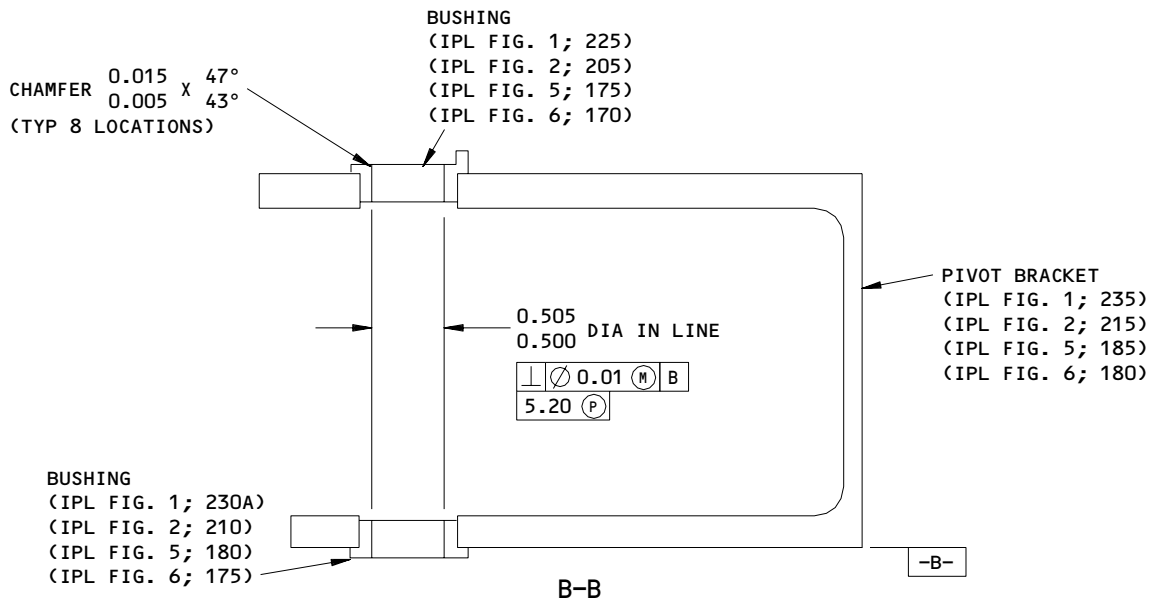
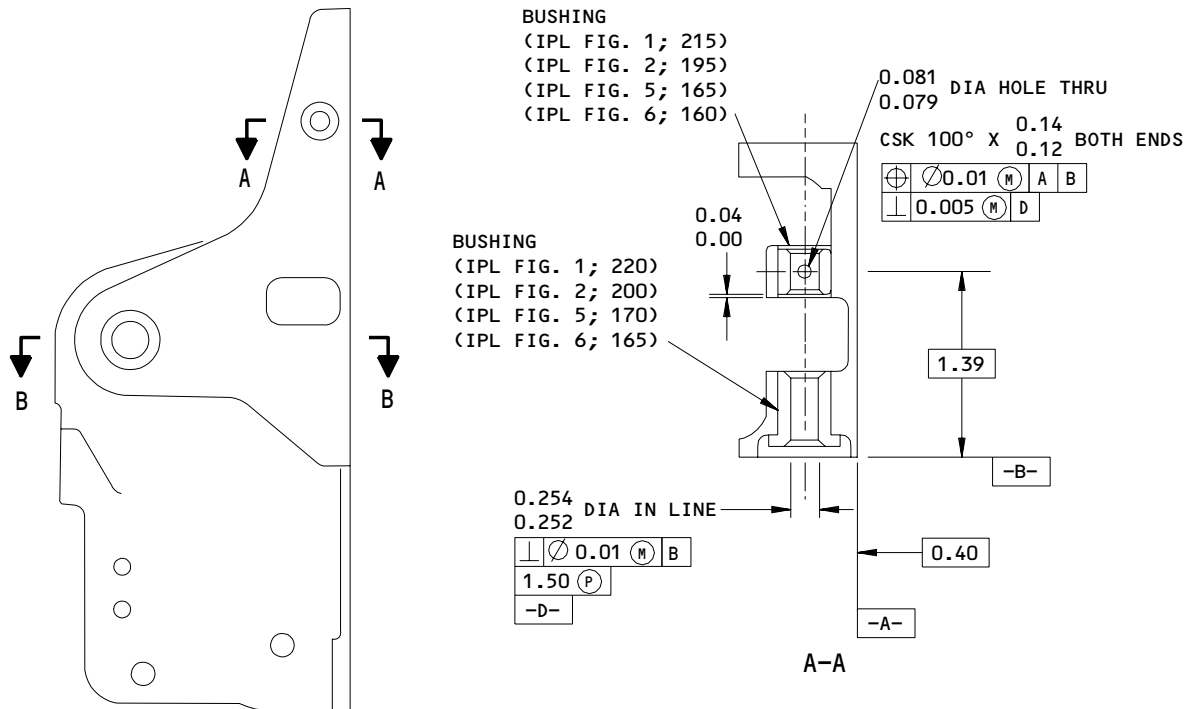
25-25-04

REPAIR 3-1

01.1

Page 601

Jul 01/03



REFINISH

BRACKET -- CHROMIC ACID ANODIZE AND APPLY 1 COAT OF BMS 10-11, TYPE 1 PRIMER (F-18.13) THEN APPLY PRIMER, BMS 10-83, TYPE 1 AND ENAMEL, BMS 10-83, TYPE 2 (F-22.05-8813; 235, IPL FIG. 1 AND 215, IPL FIG. 2) OR (F-22.05-706; 185, IPL FIG. 5 AND 180, IPL FIG. 6) ALL OVER EXCEPT NO FINISH IN ALL HOLES.

125 ✓ ALL MACHINED SURFACES UNLESS SHOWN DIFFERENTLY

MATERIAL: AL ALLOY

ALL DIMENSIONS ARE IN INCHES

414T2107-3 SHOWN
 Bushing Replacement and Parts Refinish
 Figure 601

25-25-04

REPAIR 3-1

01.1

Page 602

Jul 01/03

MISCELLANEOUS PARTS REFINISH – REPAIR 4-1

1. Repair of parts listed in Fig. 601 consists of restoration of the original finish.

IPL FIG. & ITEM	MATERIAL	FINISH
Pivot pin (130, IPL Fig. 1; 115, IPL Fig. 2; 75, IPL Fig. 5; 85, IPL Fig. 6)	15-15PH CRES 180-200 ksi	Prepare surface and passivate (F-17.09).
Cam (200, 200A, IPL Fig. 1; 170, 170A IPL Fig. 2; 130, 132, IPL Fig. 5; 145, 145A, IPL Fig. 6)	S56-T6	Sulfuric acid hard anodize (F-17.06).
Spring-return (160, 160B, 165, 165B, IPL Fig. 1; 130A, 130B, 135A, 135B, IPL Fig. 2; 90, 95, IPL Fig. 5)	Chrome Silicon wire. AISI 9254, ASTM A401	Apply 2 coats of BMS 10-11, type 1, primer (F-20.03). Apply BMS 10-83, type 1, primer and BMS 10-83 type 2, enamel (F-22.05-8813).
Seat pan assembly (240, IPL Fig. 1; 275A, IPL Fig. 2; 255, IPL Fig. 5)		Apply BMS 10-83 type 1 primer and BMS 10-83 type 2, enamel (F-22.05-8813). No finish on bushings and apply after bonding.
Cam actuator (300, IPL Fig. 1; 335, IPL Fig. 2; 325, IPL Fig. 5; 245, IPL Fig. 6)	2024-T3	Chromic acid anodize and apply one coat of BMS 10-11, type 1, primer (F-18.13).

Refinish Details
Figure 601 (Sheet 1)

25-25-04

REPAIR 4-1

01.1

Page 601

Jul 01/03

IPL FIG. & ITEM	MATERIAL	FINISH
Support arm (305, 305A, IPL Fig. 1; 340, 340A, IPL Fig. 2; 330, 335, IPL Fig. 5; 250, 250A, IPL Fig. 6)	7075-T6	Apply two coats BMS 10-11, type 1, primer (F-20.03).
Shim (335, IPL Fig. 1; 370, IPL Fig. 2; 365, IPL Fig. 5; 280, IPL Fig. 6)	2024-T3	Chromic acid anodize (F-17.04).
Pivot bracket (235, 235A, IPL Fig. 1; 215A, 215C, IPL Fig. 2; 185, 190, IPL Fig. 5)	7075-T3	Chromic acid anodize and apply one coat of BMS 10-11, type 1, primer (F-18.13). Apply BMS 10-83, type 1, primer and BMS 10-83 type 2, enamel (F-22.05-8813).
Spring-return (160A, 160C, 160E, 165A, 165C, 165E, IPL Fig. 1; 130, 130C, 135, 135C, IPL Fig. 2; 105, 110, IPL Fig. 6)	Chrome Silicon wire. AISI 9254, ASTM A401.	Apply two coats of BMS 10-11, type 1, primer (F-20.03). Apply BMS 10-83 type 1, primer and BMS 10-83 type 2, enamel (F-22.05-706).
Seat pan assembly (240A, IPL Fig. 1; 275, IPL Fig. 2; 185, IPL Fig. 5)		Apply BMS 10-83 type 1, primer and BMS 10-83 type 2, enamel (F-22.05-706). No finish on bushings. Apply finish after bonding.

Refinish Details
Figure 601 (Sheet 2)

25-25-04

REPAIR 4-1

01.1

Page 602

Jul 01/03

IPL FIG. & ITEM	MATERIAL	FINISH
Pivot bracket 235B, 235C, IPL Fig. 1; 215, 215B, IPL Fig. 2; 185, 190, IPL Fig. 5; 180, IPL Fig. 6)	7075-T73	Chromic acid anodize and apply one coat of BMS 10-11, type 1, primer (F-18.13). Apply BMS 10-83 type 2, enamel (F-22.05-706).
Seat pan assembly (220, IPL Fig. 2; 195, IPL Fig. 5)		Apply BMS 10-83, type 2, enamel on all exposed metal after bonding and riveting.
Plate-seat base (260, 265, 270, IPL Fig. 2)	2024-T3	Chromic acid anodize, type 1, and apply one coat of BMS 10-11, type 1, primer (F-18.13).
Flange bushing (225, IPL Fig. 1; 205, 210A, IPL Fig. 2; 175, 182, IPL Fig. 5; 170, IPL Fig. 6)	Alum Bronze BAR Alloy	Cadmium plate (F-15.06)
Back pan assembly (75, IPL Fig. 3)		Apply BMS 10-83, type 1, primer and BMS 10-83, type 2, enamel (F-22.05-8813). No finish on nylon parts.
Pivot bracket (65, IPL Fig. 3; 60, IPL Fig. 4)	356-T6	Chromic acid anodize and apply one coat of BMS 10-11, type 1, primer (F-18.13). Apply BMS 10-83, type 1, primer and BMS 10-83, type 12 enamel (F-22.05-8813).

Refinish Details
Figure 601 (Sheet 3)

25-25-04

REPAIR 4-1

01.1

Page 603

Jul 01/03

IPL FIG. & ITEM	MATERIAL	FINISH
Bracket (70, 70A, IPL Fig. 3; 65, 65A, IPL Fig. 4)	2024-T3 Alum Alloy	Chromic acid anodize and apply one coat of BMS 10-11, type 1, primer (F-18.13). Apply BMS 10-83, type 1 primer and BMS 10-83, type 2 enamel (F22.05-8813).
Bracket-foam support (53, IPL Fig. 3; 167, IPL Fig. 4)	2024-0 Alum Alloy	Chromic acid anodize and apply one coat of BMS 10-11, type 1, primer (F-18.13). Apply BMS 10-83, type 2, enamel (F-22.06-8813).
Cam follower (85, 90, IPL Fig. 3; 80, 85, IPL Fig. 4)	7075-T651 Alum Plate	Chromic acid anodize and apply one coat of BMS 10-11, type 1, primer (F-18.13).
Bracket (53A, IPL Fig. 3; 167A, IPL Fig. 4)	2024-0 Bare Sheet	Chromic acid anodize and apply one coat of BMS 10-11, type 1, primer (F-18.13). Apply BMS 10-83, type 2, enamel (F-22.06-706).
Pivot bracket (65A, IPL Fig. 3, 60A, IPL Fig. 4)	356-T6	Chromic acid anodize and apply one coat of BMS 10-11, type 1, primer (F-18.13). Apply BMS 10-83, type 1, primer and BMS 10-83, type 2, enamel (F-22.05-706).
Bracket (70B, 70C, IPL Fig. 3; 65B, 65C, IPL Fig. 4)	2024-T3 Alum Alloy	Chromic acid anodize and apply one coat of BMS 10-11, type 1, primer (F-18.13). Apply BMS 10-83, type 1, primer and BMS type 2, enamel (F-22.05-706).

Refinish Details
 Figure 601 (Sheet 4)

25-25-04

REPAIR 4-1

01.1

Page 604

Jul 01/03

IPL FIG. & ITEM	MATERIAL	FINISH
Pan assembly - back (75, IPL Fig. 3)		Apply BMS 10-83, type 1, primer and BMS 10-83, type 2, enamel (F-22.05-706).
Plate - joiner (180, 185, 190, IPL Fig. 4)	2024-T3 Alum Sheet	Chromic acid anodize and apply one coat of BMS 10-11, type 1, primer F-18.13).
Pan assembly - back (70, 70A, IPL Fig. 4)		Apply one coat of BMS 10-11, type 1, primer (F-20-02). Apply BMS 10-83 type 2, enamel (F-22.06-8813). No finish on nylon parts.
Pan assembly - back (70B, IPL Fig. 4)		Apply one coat of BMS 10-11, type 1, primer (F-20-02). Apply BMS 10-83 type 2, enamel (F-22.06-706). No finish on nylon parts.

Refinish Details
 Figure 601 (Sheet 5)

25-25-04

REPAIR 4-1

01.1

Page 605

Jul 01/03

ASSEMBLY

1. Materials

NOTE: Equivalent substitutes may be used.

A. Grease -- MIL-G-23827 (Ref 20-60-03)

2. Assembly

A. Assemble attendant seats using standard industry practices and the following special instructions.

B. Seat base assembly (IPL Fig. 1, 6):

(1) Apply a light coat of grease to pins (130, 175, IPL Fig. 1) or (85, 120, IPL Fig. 6) and slot in cam assemblies (180, 185, IPL Fig. 1) or (125, 130, IPL Fig. 6) before assembly. Wipe off excess grease after assembly.

(2) Leave one end of springs (160, 165, IPL Fig. 1) or (105, 110, IPL Fig. 6) free to facilitate shipping and installation.

C. Seat base assembly (IPL Fig. 2, 5):

(1) Apply a light coat of grease to pins (115, 145, IPL Fig. 2) or (75, 105, IPL Fig. 5) and slot in cam assemblies (150, 155, IPL Fig. 2) or (125, IPL Fig. 5) before assembly. Wipe off excess grease after assembly.

(2) Leave one end of springs (130, 135, IPL Fig. 2) or (90, 95, IPL Fig. 5) free to facilitate shipping and installation.

D. Seat back assembly (IPL Fig. 3):

(1) Apply a light coat of grease to pins (25) and cam followers (85, 90) before assembly. Wipe off excess grease from cam followers after installing sleeves (175).

E. Seat back assembly (IPL Fig. 4):

(1) Apply a light coat of grease to pins (20) before assembly.

3. Use standard industry practices to store the attendant seat components.

25-25-04

ASSEMBLY
Page 701
Jul 01/03

01.1

ILLUSTRATED PARTS LIST

1. This section lists and illustrates replaceable or repairable component parts. The Illustrated Parts Catalog contains a complete explanation of the Boeing part numbering system.
2. Indentures show parts relationships as follows:
 - Assembly
 - Detail Parts for Assembly
 - Subassembly
 - Attaching Parts for Subassembly
 - Detail Parts for Subassembly
 - Detail Installation Parts (Included only if installation parts may be returned to shop as part of assembly)
3. One use code letter (A, B, C, etc.) is assigned in the EFF CODE column for each variation of top assembly. All listed parts are used on all top assemblies except when limitations are shown by use code letter opposite individual part entries.
4. Letter suffixes (alpha-variants) are added to item numbers for optional parts, Service Bulletin modification parts, configuration differences (Except left- and right-hand parts), product improvement parts, and parts added between two sequential item numbers. The alpha-variant is not shown on illustrations when appearance and location of all variants of the part is the same.
5. Service Bulletin modifications are shown by the notations PRE SB XXXX and POST SB XXXX.
 - A. When a new top assembly part number is assigned by Service Bulletin, the notations appear at the top assembly level only. The configuration differences at detail part level are then shown by use code letter.
 - B. When the top assembly part number is not changed by the Service Bulletin, the notations appear at the detail part level.

6. Parts Interchangeability

Optional (OPT)	The parts are optional to and interchangeable with other parts having the same item number.
Supersedes, Superseded By (SUPSDS, SUPSD BY)	The part supersedes and is not interchangeable with the original part.
Replaces, Replaced By (REPLS, REPLD BY)	The part replaces and is interchangeable with, or is an alternate to, the original part.

25-25-04

VENDORS

00679 CASTLE INDUSTRIES, INCORPORATED OF CALIFORNIA
601 SOUTH DUPONT AVENUE
ONTARIO, CALIFORNIA 91761
FORMERLY IN MONTCLAIR, CALIFORNIA

11815 CHERRY AEROSPACE FASTENERS DIV OF TEXTRON
1224 EAST WARNER AVENUE PO BOX 2157
SANTA ANA, CALIFORNIA 92707-0157
FORMERLY IN LOS ANGELES, CALIF , FORMERLY CHERRY FASTENERS
TOWNSEND DIV OF TEXTRON INC V71087

15653 FAIRCHILD FASTENERS KAYNAR PRODUCTS DIV
800 S STATE COLLEGE BLVD
FULLERTON, CALIFORNIA 92831-3001
FORMERLY VK6405 MICRODOT AEROSP LTD; FORMERLY KAYNAR TECH
KAYNAR DIV

31218 BF GOODRICH AEROSPACE AMI AIRCRAFT SEATING SYSTEMS
1275 NORTH NEWPORT ROAD
COLORADO SPRINGS, COLORADO 80916-2779
FORMERLY V70203 AIRCRAFT MECHANICS INC.; FORMERLY AMI IND

52828 REPUBLIC FASTENER MFG CORP
1300 RANCHO CONEJO BLVD
NEWBURY PARK, CALIFORNIA 91320-1405
FORMERLY IN SYLMAR, CALIFORNIA

53551 ALLFAST FASTENING SYSTEMS INC
15200 EAST DON JULIAN ROAD PO BOX 3166
CITY OF INDUSTRY, CALIFORNIA 91745-1001
FORMERLY V0736B
FORMERLY ALLFAST INC V5K545

25-25-04

ILLUSTRATED PARTS LIST
01.1 Page 1002
Jul 01/03

VENDORS

60119 MONADNOCK CO THE
18301 ARENTH AVENUE PO BOX 1222
CITY OF INDUSTRY, CALIFORNIA 91749
FORMERLY UNITED CARR FASTENER CORP VB0051 VB0056 VB0076
FORMERLY TRW ELECTRONIC COMPONENTS CINCH-MONADNOCK DIV
FORMERLY CINCH-MONADNOCK DIV OF TRW INC V76530

71087 BOOTS ACFT NUT DIV TOWNSEND CO SEE TEXTRON INC CHERRY
FASTENER TOWNSEND DIV V11815

71286 FAIRCHILD FASTENERS CAMLOC PRODUCTS
SOUTHBAY OPERATIONS
TORRANCE, CALIFORNIA 90505-5103
FORMERLY REXNORD INC SPECIALITY FASTENER DIV IN HASBROUCK
HEIGHTS, NEW JERSEY

72962 HARVARD INDUSTRIES INC
3 WERNER WAY SUITE 210
LEBANON, NEW JERSEY 08833
FORMERLY AMERACE CORP ESNA DIV
FORMERLY ELASTIC STOP NUT IN UNION, NJ

77969 RUBBERCRAFT CORPORATION OF CALIFORNIA LIMITED
15627 SOUTH BROADWAY
GARDENA, CALIFORNIA 90248
FORMERLY MOULDED PRODUCTS COMPANY V96755
FORMERLY IN TORRANCE, CALIFORNIA

80539 SPS TECHNOLOGIES INC AEROSPACE PRODUCTS DIV
2701 SOUTH HARBOR BOULEVARD PO BOX 1259
SANTA ANA, CALIFORNIA 92702-1259
FORMERLY NUTT-SHEL DIV OF SPC WESTERN CO V80539
AND STANDARD PRESSED STEEL WESTERN DIV V17279

84256 AVIBANK MANUFACTURING COMPANY
210 SOUTH VICTORY BLVD PO BOX 391
BURBANK, CALIFORNIA 91503
FORMERLY AVDEL INC AND ROWE SALES CO VB0001
FORMERLY PRICE, D.W. CORP LOS ANGELES, CALIFORNIA V97978

92215 FAIRCHILD IND INC FAIRCHILD AEROSPACE FASTENER DIV
3010 W LOMITA BLVD
TORRANCE, CALIFORNIA 90505-5102
FORMERLY VOI-SHAN IN CULVER CITY, CALIF

25-25-04

VENDORS

98388 LEAR SIEGLER INC ACCURATE PRODUCTS DIV
4370 JUTLAND DRIVE
SAN DIEGO, CALIFORNIA 92117-3642
FORMERLY ACCURATE RUBBER & PLASTICS CO CULVER CITY, CALIF
FORMERLY ROYAL INDUSTRIES ACCURATE PRODUCTS DIVISION

98996 OLYMPIA FASTENING INV SEE V53551

25-25-04

ILLUSTRATED PARTS LIST
01.1 Page 1004
Jul 01/03

PART NUMBER	AIRLINE PART NO.	FIG.	ITEM	TTL REQ	
AF517-3-3		1	245	4	
		2	280	4	
		5	270	8	
		6	190	4	
		AN415-5	3	30	2
			4	15	4
AN960-416		1	80	2	
		2	65	4	
		5	30	4	
		6	15	2	
AN960JD8L		1	100A	4	
		2	90	8	
		6	35	4	
AN960PD8L		1	100	4	
		2	90A	8	
		5	50	8	
AS246-1		1	126	2	
		1	140	4	
		6	65	2	
AS246-2		1	128	2	
		1	150	4	
		6	75	2	
BACB28X8M050		1	270	4	
		2	305	4	
		5	295	4	
		6	215	2	
		BACB28Y4C022		1	75
2	60			4	
5	40			4	
6	10			2	
BACB30NF4-10		2	55B	4	
BACB30NF4-8		1	70	2	
		2	55A	4	
		6	5	2	
BACB30NF4-9		1	70A	2	
		2	55	4	
		5	5	4	
BACG2AF4B2		4	35	4	
BACN10JC08		1	105	4	
		2	95A	8	
		5	55	8	
BACN10JC4		1	90	2	

25-25-04

PART NUMBER	AIRLINE PART NO.	FIG.	ITEM	TTL REQ
BACN10JC4		2	80A	4
BACN10KB3F		1	250	2
		2	285	2
		5	275	4
		6	195	2
BACR15BA5AD		3	55	4
		3	110	4
		4	50A	8
		4	52A	8
		4	110	8
BACR15BA6AD		1	275	4
		2	310	4
		3	95	4
		4	95	8
		5	300	4
		6	220	4
BACR15BB4AD		1	255	2
		2	290	2
		3	100	11
		4	90	22
		5	280	4
		6	200	2
BACR15BB5AD		3	60	2
		4	55	4
		4	57	4
BACR15BB6DD		1	290	2
		2	325	2
		5	315	2
		6	235	2
BACR15DA4-2		3	15	3
		4	125	6
BACR15DR3P3		1	245	4
		2	280	4
		5	270	8
		6	190	4
BACR15FR4E		4	100	6
BACR15FR4E2		3	105	6
BACR15FR4E5		3	80	2
		4	75	4
BACS18C10-4		1	85	2
		2	70	4
		5	20	4
		6	20	2

25-25-04

 ILLUSTRATED PARTS LIST
 01.1 Page 1006
 Jul 01/03

PART NUMBER	AIRLINE PART NO.	FIG.	ITEM	TTL REQ
BACS21Y5FR		1	120	2
		2	105	2
BACS21Y5FR		3	35	2
		4	25	2
		5	65	2
		6	50	2
		2	75	4
BACW10P186C		5	35	4
BACW10X4		1	125	2
		2	110	2
BRF100A3		3	40	2
		4	30	2
		5	70	2
		6	55	2
		1	250	2
		2	285	2
BRH10A08		5	275	4
		6	195	2
		1	105	4
BRH10A4		2	95A	8
		5	55	8
		1	90	2
BSP4-2		2	80A	4
		4	125A	6
CCR274SS3-3		1	245	4
		2	280	4
		5	270	8
		6	190	4
		1	250	2
F2000-3		2	285	2
		5	275	4
		6	195	2
		4	35A	4
GB220				

25-25-04

PART NUMBER	AIRLINE PART NO.	FIG.	ITEM	TTL REQ
H10-08BAC		1	105	4
		2	95A	8
		5	55	8
H10-4BAC		1	90	2
		2	80A	4
MS16562-16		1	170	2
		2	140	4
		5	100	4
		6	115	2
MS20392-3C27		3	25	2
		4	20	4
		1	105A	4
MS21042L08		2	95	8
MS21042L08		6	40	4
MS21042L4		1	90A	2
		2	80	4
		5	15	4
		6	25	2
		1	55	3
MS27980-1C		2	40	6
MS27980-6C		1	60	3
		2	45	6
MS27980-7B		3	20A	3
		4	130	6
		1	48	2
MS27986-3B		1	47	2
MS27986-4B		1	135	4
MS3217-1050		2	120	4
		5	80	4
		6	90	2
		1	127	2
NAS1515H8H		1	145	4
		6	70	2
		2	230	2
NAS1738E4-2		4	105	18
		5	205	2

25-25-04

 ILLUSTRATED PARTS LIST
 01.1 Page 1008
 Jul 01/03

PART NUMBER	AIRLINE PART NO.	FIG.	ITEM	TTL REQ
NAS1738E5-2		2	235	2
		5	210	2
NAS1738E5-4		2	255	4
		5	230	2
NAS1738E5-5		2	250	4
		5	225	4
NAS1738E5-6		2	245	2
		5	220	2
NAS1738E5-7		2	240	4
		5	215	4
NAS1739E4-2		5	200A	10
NAS1739E5-2		2	225	10
NAS1835A3		1	330	5
		2	365	5
		5	360	10
NAS42DD4-28		6	275	5
		1	295	2
		2	330	2
NAS42DD4-28		5	320	2
		6	240	2
		1	95	4
NAS514P832-6		2	85	8
		5	45	8
		6	30	4
NAS537B4P36		1	215	2
		2	195	4
		5	165	4
NAS538B4P018		6	160	2
		1	190	4
		2	160	4
		5	120	8
		6	135	4

25-25-04

PART NUMBER	AIRLINE PART NO.	FIG.	ITEM	TTL REQ
NAS538B4P50		1	220	2
		2	200	4
		5	170	4
		6	165	2
NAS538B8P017		1	230A	2
		2	210	2
		5	180	2
		6	175	2
NAS538B8P022		2	205A	2
		5	177	2
NAS603-18P		1	10	2
		2	10	2
NAS603-20P		1	10B	2
		1	5	5
NAS603-8P		2	5	8
		5	275	4
NS103185-02		5	195	2
		6	195	2
NS202101-048		1	90	2
		2	80A	4
NS202101-82		1	105	4
		2	95A	8
		5	55	8
		6	195	2
RMF9207-3		1	250	2
		2	285	2
		5	275	4
		6	195	2
RMLH9075-4W		1	90	2
		2	80A	4
RMLH9075-82W		1	105	4
		2	95A	8
		5	55	8
		6	190	4
RV570A3-3		1	245	4
		2	280	4
		5	270	8
		6	190	4
T6S428J		1	90	2
		2	80A	4
T6S832J		1	105	4
		2	95A	8
		5	55	8
		6	190	4
T8114S1032S		1	250	2
		2	285	2
		5	275	4
		6	195	2

25-25-04

 ILLUSTRATED PARTS LIST
 01.1 Page 1010
 Jul 01/03

PART NUMBER	AIRLINE PART NO.	FIG.	ITEM	TTL REQ		
VN151A1-02		1	250	2		
		2	285	2		
		5	275	4		
		6	195	2		
		VN303A048		1	90	2
				2	80A	4
VN303A82		1	105	4		
		2	95A	8		
		5	55	8		
0726802-3		1	72	2		
		2	57	4		
		5	10	4		
		1127700		1	125	2
2	110			2		
3	40			2		
4	30			2		
5	70			2		
6	55			2		
2A1012-3		1	115	2		
		2	100	4		
		6	45	2		
2600LW		1	125	2		
		2	110	2		
		3	40	2		
		4	30	2		
		5	70	2		
		6	55	2		
27S3-5		1	120	2		
		2	105	2		
		3	35	2		
		4	25	2		
		5	65	2		

25-25-04

PART NUMBER	AIRLINE PART NO.	FIG.	ITEM	TTL REQ
27S3-5		6	50	2
3-062		4	35A	4
413T3702-1SP		1	35	2
		2	25B	2
414T2022-1		1	130	4
		2	115	4
		5	75	4
		6	85	2
414T2023-2		4	190	1
414T2023-3		4	185	1
414T2023-4		2	260	1
		5	235	1
414T2023-5		2	265	1
		5	240	1
414T2023-6		2	270	1
		5	245	1
414T2023-7		4	180	1
414T2024-3		5	250	1
414T2024-4		2	220A	1
		5	195	1
414T2024-6		2	220	1
414T2025-10SP		1	1H	RF
		2	1	RF
414T2025-11SP		1	1J	RF
		2	1A	RF
414T2025-13		2	48A	1
414T2025-14SP		1	1K	RF
		2	1B	RF
414T2025-15SP		1	1X	RF
		2	1F	RF
414T2025-16		2	50B	1
414T2025-17SP		1	1Y	RF
		2	1G	RF
414T2025-18SP		1	1Z	RF
		2	1H	RF

25-25-04

 ILLUSTRATED PARTS LIST
 01.1 Page 1012
 Jul 01/03

PART NUMBER	AIRLINE PART NO.	FIG.	ITEM	TTL REQ
414T2025-19SP		1	2	RF
		2	1J	RF
414T2025-2SP		1	1L	RF
		2	1C	RF
414T2025-20		2	50C	1
		5	1A	1
414T2025-21		2	50D	1
414T2025-23SP		1	2F	RF
		2	1K	RF
414T2025-24SP		1	2G	RF
		2	1L	RF
414T2025-25		5	25	4
414T2025-3		2	50A	1
414T2025-4SP		1	1M	RF
		2	1D	RF
414T2025-7		2	48	1
414T2025-8SP		1	1N	RF
		2	1E	RF
414T2025-9		2	50	1
414T2028-1		4	70A	1
414T2028-2		4	157	2
414T2028-3		4	132	3
414T2028-4		4	133	3
414T2028-5		4	70	1
414T2028-6		4	70B	1
414T2030-10SP		1	1T	RF
		4	1	RF
414T2030-11		4	10A	1
414T2030-12SP		1	2C	RF
		4	1D	RF
414T2030-13SP		1	2D	RF
		4	1E	RF
414T2030-14		4	210A	1
414T2030-15SP		1	2E	RF
		4	1F	RF
414T2030-16SP		1	2L	RF
		4	1G	RF

25-25-04

PART NUMBER	AIRLINE PART NO.	FIG.	ITEM	TTL REQ
414T2030-17		4	205B	1
414T2030-2SP		1	1U	RF
		4	1B	RF
414T2030-3		4	10B	1
414T2030-4SP		1	1V	RF
		4	1A	RF
414T2030-5		4	10C	1
414T2030-8		4	210	1
414T2030-9SP		1	1W	RF
		4	1C	RF
414T2044-17SP		2	30C	1
414T2044-2SP		4	5	1
414T2044-20		2	30A	1
414T2044-21SP		2	30B	1
414T2044-22SP		2	30D	1
414T2044-24SP		4	5A	1
414T2045-1		2	47A	1
414T2045-15		4	205	1
414T2045-16		2	47	1
		2	49	1
414T2045-17		2	47B	1
414T2045-18		4	210B	1
414T2045-4		4	205A	1
414T2050-17SP		3	5	1
414T2050-19SP		1	2K	RF
		3	1F	RF
414T2050-20		3	10B	1
414T2050-21SP		1	1P	RF
		3	1	RF
414T2050-22		3	10	1
414T2050-25		3	185	1
414T2050-26SP		1	1Q	RF
		3	1A	RF
414T2050-28SP		1	1R	RF
		3	1B	RF
414T2050-29		3	10A	1
414T2050-3		3	75	1
414T2050-30		3	75A	1
414T2050-31		3	185A	1
414T2050-32SP		1	2H	RF
		3	1D	RF
414T2050-33SP		1	1S	RF
		3	1C	RF
414T2050-35SP		3	5A	1
414T2050-36SP		1	2J	RF
		3	1E	RF

25-25-04

 ILLUSTRATED PARTS LIST
 01.1 Page 1014
 Jul 01/03

PART NUMBER	AIRLINE PART NO.	FIG.	ITEM	TTL REQ
414T2051-1		3	115	1
		4	135	2
414T2051-3		3	135	1
		4	155	2
414T2051-4		3	130	2
		4	150	4
414T2051-5		3	120	1
		4	140	2
414T2051-6		3	125	1
		4	145	2
414T2051-7		3	140	1
		4	170	1
414T2051-8		3	145	1
414T2051-8		4	175	1
414T2052-1		3	65	2
		4	60	4
414T2052-5		3	45	1
		4	40	2
414T2052-6		3	50	1
		4	45	2
414T2052-7		3	65A	2
		4	60A	4
414T2052-8		3	45A	1
		4	40A	2
414T2052-9		3	50A	1
		4	45A	2
414T2053-1		3	85	1
		4	80	2
414T2053-2		3	90	1
		4	85	2
414T2054-1		3	150	1
		4	195	2
414T2054-2		3	155	1
		4	200	2
414T2055-3		3	160	2
		4	115	4
414T2055-5		3	175	2
		4	120	4
414T2055-7		3	165	1
		4	160	1
414T2055-8		3	170	1
		4	165	1
414T2100-10SP		1	1	RF
414T2100-11SP		1	45	1
414T2100-12		1	65	1
414T2100-13		1	15	1
414T2100-14		1	25	1

25-25-04

ILLUSTRATED PARTS LIST
01.1 Page 1015
Jul 01/03

PART NUMBER	AIRLINE PART NO.	FIG.	ITEM	TTL REQ
414T2100-15		2	15A	1
414T2100-16		2	20A	1
414T2100-17SP		1	1A	RF
414T2100-18		1	347	1
414T2100-19		1	348	1
		1	348A	2
414T2100-20		1	345	1
414T2100-21SP		1	1B	RF
414T2100-22SP		1	1C	RF
414T2100-23		1	65A	1
		6	1A	1
414T2100-24		1	345A	1
414T2100-25SP		1	1D	RF
414T2100-26SP		1	1E	RF
414T2100-27SP		1	1F	RF
414T2100-28		2	35	1
414T2100-28SP		1	50	1
414T2100-29SP		1	45A	1
414T2100-30SP		1	1G	RF
414T2100-31SP		1	45B	1
414T2100-32SP		1	2A	RF
414T2100-33		1	65B	1
414T2100-34SP		1	2B	RF
414T2100-35		1	65C	1
414T2100-36		1	65D	1
414T2100-37		1	65E	1
414T2100-39SP		1	45C	1
414T2100-4		1	52	1
414T2100-40SP		1	2M	RF
414T2100-41		6	60	2
414T2100-42		6	80	2
414T2100-43		1	137	2
414T2100-44		1	129	2
414T2100-5		1	53	1
414T2101-1		1	180	1
		2	150	2
		5	110	2
		6	125	1
414T2101-10		1	305A	1
		2	340A	1
		5	335	2
		6	250A	1
414T2101-14		1	155	2
		2	125	4
		5	85	4
		6	100	2

25-25-04

 ILLUSTRATED PARTS LIST
 01.1 Page 1016
 Jul 01/03

PART NUMBER	AIRLINE PART NO.	FIG.	ITEM	TTL REQ
414T2101-15		1	195	2
		2	165	4
		5	125	4
		6	140	2
		6	140	2
414T2101-18		1	225	2
		2	205	2
		5	175	2
414T2101-18		6	170	2
414T2101-19		1	175	2
		2	145	4
		5	105	4
		6	120	2
		6	120	2
414T2101-2		1	185	1
		2	155	2
		5	115	2
		6	130	1
414T2101-21		1	110	2
		2	100A	4
		5	60	4
414T2101-22		2	210A	2
		5	182	2
414T2101-23		1	285	2
		2	320	2
		5	310	2
		6	230	2
		6	230	2
414T2101-24		1	260	1
		2	295	1
		5	285	2
		6	205	1
		6	205	1
414T2101-25		1	265	1
		2	300	1
		5	290	2
		6	210	1
		6	210	1
		6	210	1
414T2101-5		1	300	2
		2	335	2
		5	325	2
		6	245	2
		6	245	2
414T2101-6		1	280	2
		2	315	2
		5	305	2
		5	305	2
		6	225	2

25-25-04

ILLUSTRATED PARTS LIST
01.1 Page 1017
Jul 01/03

PART NUMBER	AIRLINE PART NO.	FIG.	ITEM	TTL REQ
414T2101-9		1	305	1
		2	340	1
		5	330	2
414T2102-1		6	250	1
		1	200	1
		2	170	2
414T2102-2		5	130	2
		6	145	1
		1	200A	1
414T2102-2		2	170A	2
		5	132	2
		6	145A	1
414T2103-3		1	235	1
		2	215A	2
		5	185	2
414T2103-4		1	235A	1
		2	215C	2
		5	190	2
414T2103-5		1	235B	1
		2	215	2
		6	180	1
414T2103-6		1	235C	1
		2	215B	2
		6	180A	1
414T2104-1		1	320	1
		2	355	1
		5	350	2
414T2104-2		6	265	1
		1	310	1
		2	345	1
414T2104-3		5	340	2
		6	255A	1
		1	325	1
		2	360	1
		5	355	2
		6	270	1

25-25-04

PART NUMBER	AIRLINE PART NO.	FIG.	ITEM	TTL REQ
414T2104-4		1	340	1
		2	375	1
		5	370	2
		6	285	1
414T2104-5		1	315	1
		2	350	1
		5	345	2
		6	260	1
414T2104-6		1	335	1
		2	370	1
		5	365	2
		6	280	1
414T2105-1		1	160	1
414T2105-2		2	130A	2
		1	165	1
414T2105-3		2	135A	2
		1	160A	1
414T2105-4		2	130	2
		6	105	1
		1	165A	1
		2	135	2
414T2105-5		6	110	1
		1	160B	1
		2	130B	2
		5	90	2
414T2105-6		1	165B	1
		2	135B	2
		5	95	2
414T2105-7		1	160C	1
		2	130C	2
		6	105A	1

25-25-04

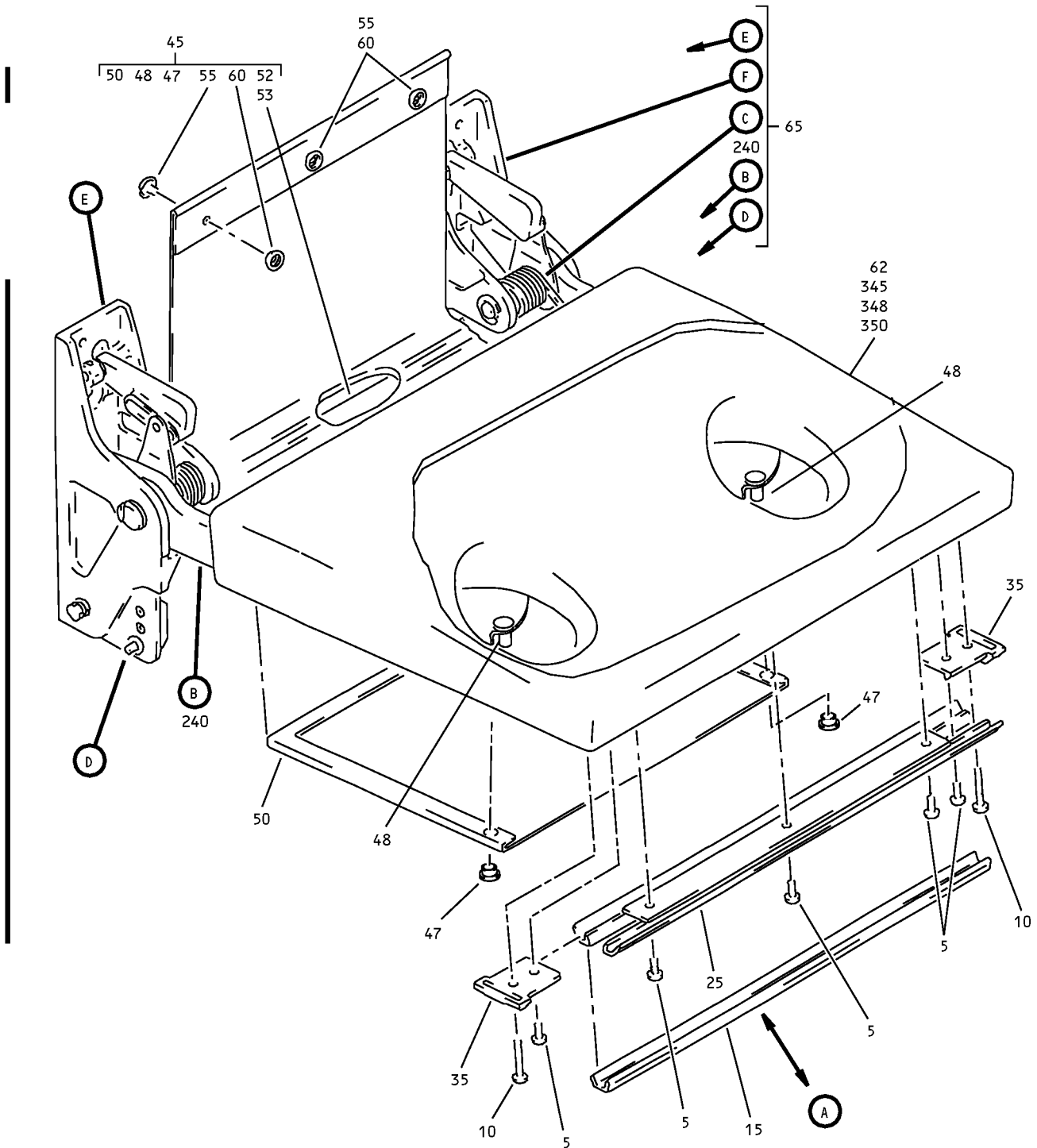
PART NUMBER	AIRLINE PART NO.	FIG.	ITEM	TTL REQ
414T2105-8		1	165C	1
		2	135C	2
		6	110A	1
414T2106-2		5	260	2
414T2106-4		5	265	2
414T2106-6		1	240	1
		2	275A	1
		5	255	2
414T2106-7		1	240A	1
		2	275	1
		6	185	1
414T2107-10		2	185	1
		1	205	1
414T2107-3		2	175A	1
		5	135	1
		1	210	1
414T2107-4		2	190A	1
		5	150	1
		2	180A	1
414T2107-5		5	140	1
		2	185A	1
		5	145	1
414T2107-6		1	205A	1
		2	175	1
		6	150	1
414T2107-7		1	210A	1
		2	190	1
		6	155	1
414T2107-8		2	180	1
		3	180	1
		3	190	1
414T2107-9		1	62	1
		1	350	1
		3	180A	1
414T2251-143		3	180A	1
414T2251-146		1	62A	1
414T2251-147		1		

25-25-04

 ILLUSTRATED PARTS LIST
 01.1 Page 1020
 Jul 01/03

PART NUMBER	AIRLINE PART NO.	FIG.	ITEM	TTL REQ
414T2251-61		3	180B	1
414T2251-62		3	53B	1
		4	167B	2
414T2350-32		3	53	1
		4	167	2
414T2350-41		3	53A	1
		4	167A	2
414T2351-13		3	70	1
		4	65	2
414T2351-14		3	70A	1
		4	65A	2
414T2351-15		3	70B	1
		4	65B	2
414T2351-16		3	70C	1
		4	65C	2
414T2358-10SP		1	40A	2
414T2358-3SP		1	30	1
414T2358-4SP		1	20	1
414T2358-5SP		2	20	1
414T2358-6SP		2	15	1
414T2358-8SP		1	40	2
		2	25	2
96-048		1	90	2
		2	80A	4
96-82		1	105	4
		2	95A	8
		5	55	8

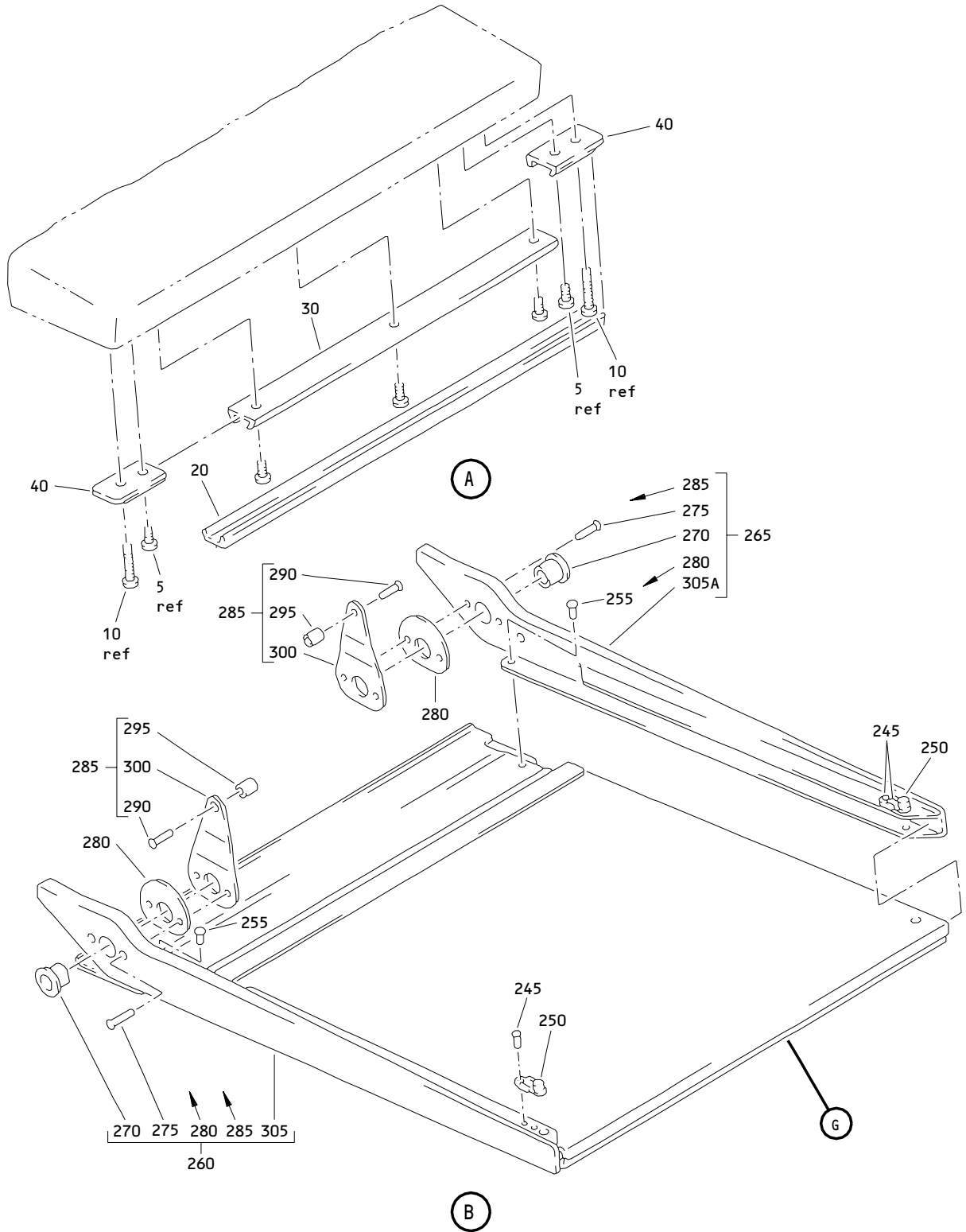
25-25-04



Seat Base Assembly
 Figure 1 (Sheet 1)

25-25-04

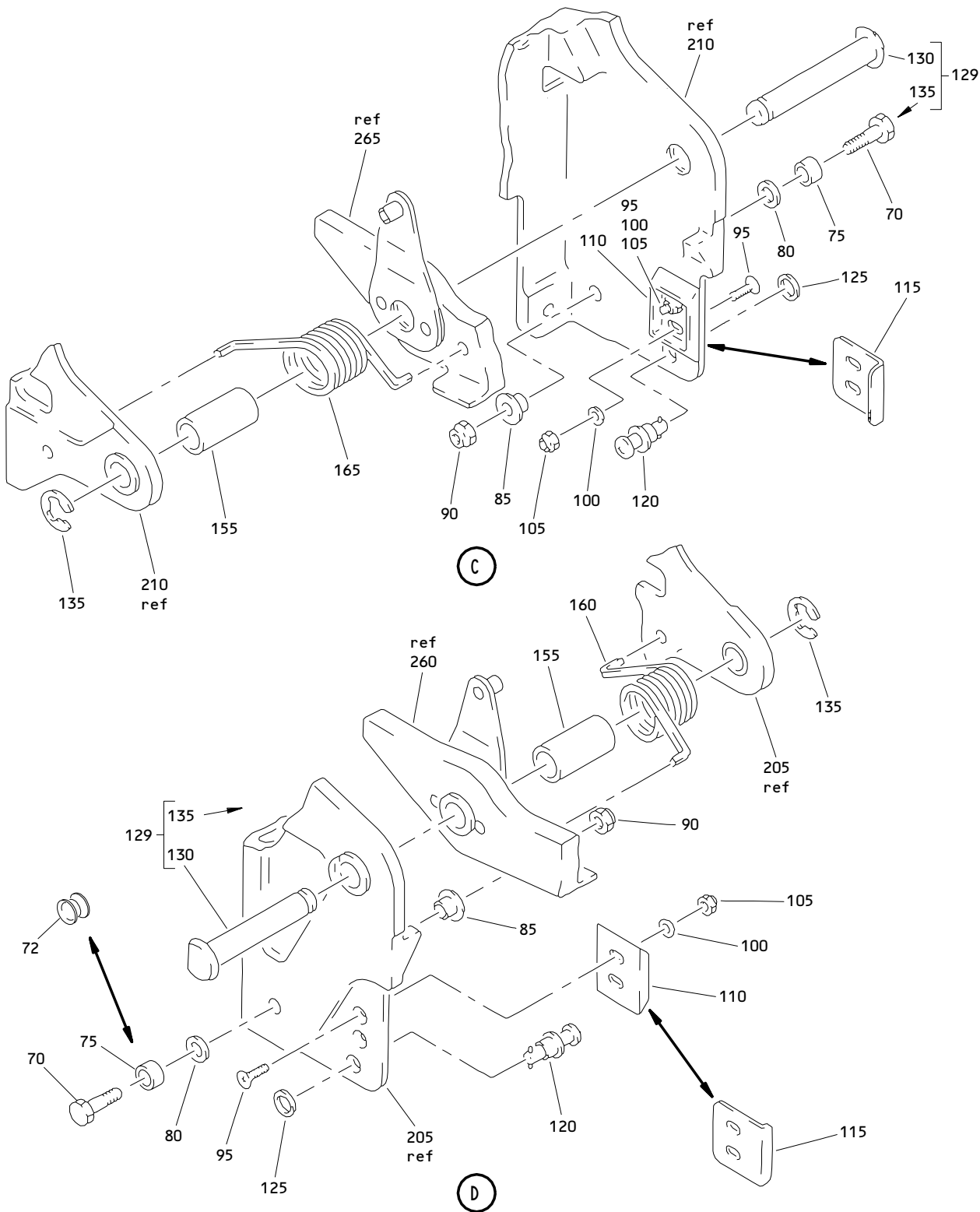
ILLUSTRATED PARTS LIST
 01.1 Page 1022
 Jul 01/03



Seat Base Assembly
 Figure 1 (Sheet 2)

25-25-04

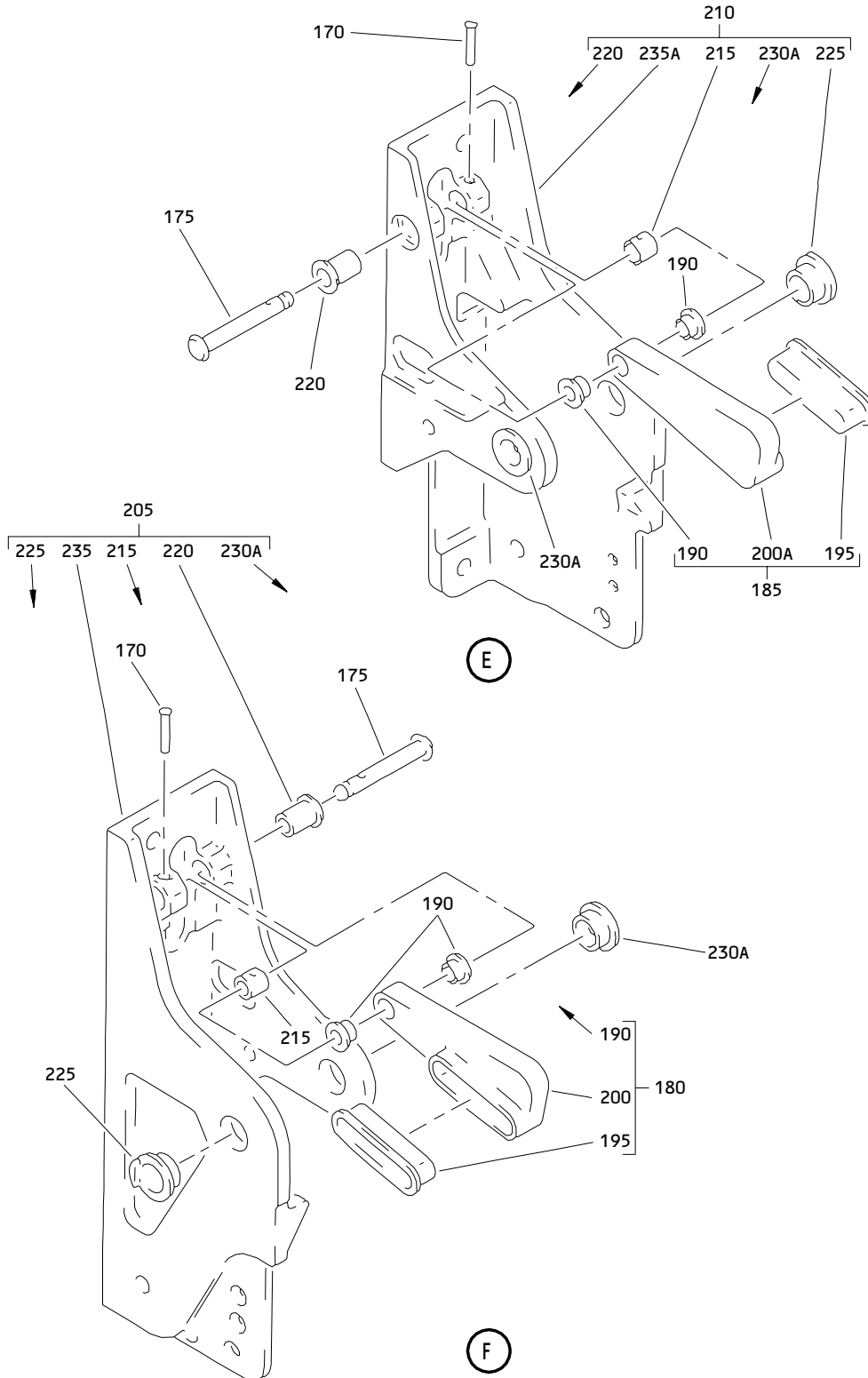
ILLUSTRATED PARTS LIST
 01.1 Page 1023
 Jul 01/03



Seat Base Assembly
 Figure 1 (Sheet 3)

25-25-04

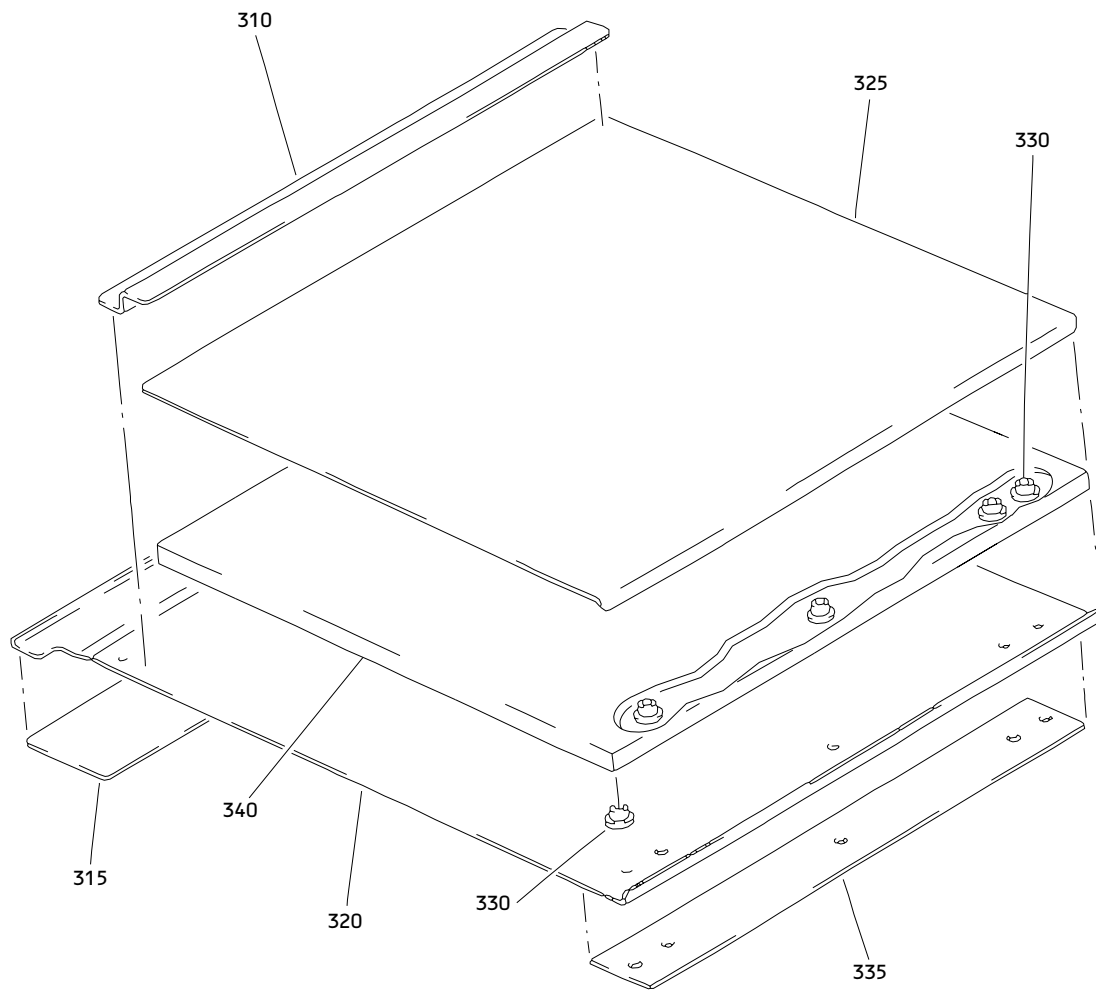
ILLUSTRATED PARTS LIST
 01.1 Page 1024
 Jul 01/03



Seat Base Assembly
 Figure 1 (Sheet 4)

25-25-04

ILLUSTRATED PARTS LIST
 01.1 Page 1025
 Jul 01/03



G

Seat Base Assembly
Figure 1 (Sheet 5)

25-25-04

ILLUSTRATED PARTS LIST
01.1 Page 1026
Jul 01/03

FIG. & ITEM	PART NO.	AIRLINE PART NUMBER	NOMENCLATURE 1234567	EFF CODE	QTY PER ASSY
01-					
-1	414T2100-10SP		SEAT BASE ASSY-ATTENDANT	A	RF
-1A	414T2100-17SP		SEAT BASE ASSY-ATTENDANT	B	RF
-1B	414T2100-21SP		SEAT BASE ASSY-ATTENDANT	C	RF
-1C	414T2100-22SP		SEAT BASE ASSY-ATTENDANT	D	RF
-1D	414T2100-25SP		SEAT BASE ASSY-ATTENDANT	E	RF
-1E	414T2100-26SP		SEAT BASE ASSY-ATTENDANT	F	RF
-1F	414T2100-27SP		SEAT BASE ASSY-ATTENDANT	G	RF
-1G	414T2100-30SP		SEAT BASE ASSY-ATTENDANT	H	RF
-1H	414T2025-10SP		SEAT BASE ASSY-ATTENDANT (FOR DETAILS SEE FIG. 2)	J	RF
-1J	414T2025-11SP		SEAT BASE ASSY-ATTENDANT (FOR DETAILS SEE FIG. 2)	K	RF
-1K	414T2025-14SP		SEAT BASE ASSY-ATTENDANT (FOR DETAILS SEE FIG. 2)	L	RF
-1L	414T2025-2SP		SEAT BASE ASSY-ATTENDANT (FOR DETAILS SEE FIG. 2)	M	RF
-1M	414T2025-4SP		SEAT BASE ASSY-ATTENDANT (FOR DETAILS SEE FIG. 2)	N	RF
-1N	414T2025-8SP		SEAT BASE ASSY-ATTENDANT (FOR DETAILS SEE FIG. 2)	P	RF
-1P	414T2050-21SP		SEAT BACK ASSY-ATTENDANT (FOR DETAILS SEE FIG. 3)	Q	RF
-1Q	414T2050-26SP		SEAT BACK ASSY-ATTENDANT (FOR DETAILS SEE FIG. 3)	R	RF
-1R	414T2050-28SP		SEAT BACK ASSY-ATTENDANT (FOR DETAILS SEE FIG. 3)	S	RF
-1S	414T2050-33SP		SEAT BACK ASSY-ATTENDANT (FOR DETAILS SEE FIG. 3)	T	RF
-1T	414T2030-10SP		SEAT BACK ASSY-ATTENDANT (FOR DETAILS SEE FIG. 4)	U	RF
-1U	414T2030-2SP		SEAT BACK ASSY-ATTENDANT (FOR DETAILS SEE FIG. 4)	V	RF
-1V	414T2030-4SP		SEAT BACK ASSY-ATTENDANT (FOR DETAILS SEE FIG. 4)	W	RF
-1W	414T2030-9SP		SEAT BACK ASSY-ATTENDANT (FOR DETAILS SEE FIG. 4)	X	RF
-1X	414T2025-15SP		SEAT BASE ASSY-ATTENDANT (FOR DETAILS SEE FIG. 2)	Y	RF
-1Y	414T2025-17SP		SEAT BASE ASSY-ATTENDANT (FOR DETAILS SEE FIG. 2)	Z	RF
-1Z	414T2025-18SP		SEAT BASE ASSY-ATTENDANT (FOR DETAILS SEE FIG. 2)	AA	RF
-2	414T2025-19SP		SEAT BASE ASSY-ATTENDANT (FOR DETAILS SEE FIG. 2)	AB	RF
-2A	414T2100-32SP		SEAT BASE ASSY-ATTENDANT	AC	RF

25-25-04

FIG. & ITEM	PART NO.	AIRLINE PART NUMBER	NOMENCLATURE 1234567	EFF CODE	QTY PER ASSY
01-					
-2B	414T2100-34SP		SEAT BASE ASSY	AD	RF
-2C	414T2030-12SP		SEAT BACK ASSY-ATTENDANT (FOR DETAILS SEE FIG. 4)	AE	RF
-2D	414T2030-13SP		SEAT BACK ASSY-ATTENDANT (FOR DETAILS SEE FIG. 4)	AF	RF
-2E	414T2030-15SP		SEAT BACK ASSY-ATTENDANT (FOR DETAILS SEE FIG. 4)	AG	RF
R -2F	414T2025-23SP		SEAT BASE ASSY-ATTENDANT (FOR DETAILS SEE FIG. 2)	AH	RF
R -2G	414T2025-24SP		SEAT BASE ASSY-ATTENDANT (FOR DETAILS SEE FIG. 2)	AJ	RF
R -2H	414T2050-32SP		SEAT BACK ASSY-ATTENDANT (FOR DETAILS SEE FIG. 3)	AK	RF
R -2J	414T2050-36SP		SEAT BACK ASSY-ATTENDANT (FOR DETAILS SEE FIG. 3)	AL	RF
R -2K	414T2050-19SP		SEAT BACK ASSY-ATTENDANT (FOR DETAILS SEE FIG. 3)	AM	RF
R -2L	414T2030-16SP		SEAT BASE ASSY-ATTENDANT (FOR DETAILS SEE FIG. 4)	AN	RF
R -2M	414T2100-40SP		SEAT BASE ASSY-ATTENDANT	AP	RF
5	NAS603-8P		.SCREW	A-H,A C,AD, AP	5
10	NAS603-18P		.SCREW	A,C,F H,AC AP	2
-10A	NAS603-18P		.SCREW- (OPT ITEM 10B)	B,D,E G,AD	2
-10B	NAS603-20P		.SCREW- (OPT ITEM 10A)	B,D,E G,AD	2
15	414T2100-13		.RUBSTRIP-INSERT	A-C,E	1
20	414T2358-4SP		.RUBSTRIP-INSERT	D,F-H AC,A D,AP	1
25	414T2100-14		.RUBSTRIP	A-C,E	1
30	414T2358-3SP		.RUBSTRIP	D,F-H AC,A D,AP	1
35	413T3702-1SP		.CAP	A-C,E	2
40	414T2358-8SP		.END CAP	D,F,H AC,A D,AP	2
-40A	414T2358-10SP		.CAP-CORNER	G	2
45	414T2100-11SP		.COVER ASSY	A-G,A D	1

25-25-04

 ILLUSTRATED PARTS LIST
 01.1 Page 1028
 Jul 01/03

FIG. & ITEM	PART NO.	AIRLINE PART NUMBER	NOMENCLATURE 1234567	EFF CODE	QTY PER ASSY
01-					
R -45A	414T2100-29SP		.COVER ASSY	H	1
R -45B	414T2100-31SP		.COVER ASSY	AC	1
R -45C	414T2100-39SP		.COVER ASSY	AP	1
R 47	MS27986-4B		..SNAP-CAP	AC	2
R 48	MS27986-3B		..SNAP-POST	AC	2
R 50	414T2100-28SP		..POCKET-SEAT BASE	H,AC	1
R 52	414T2100-4		..VELCRO-PILE	A-H,A C,AD, AP	1
R 53	414T2100-5		..VELCRO-HOOKS	A-H,A C,AD, AP	1
55	MS27980-1C		..SNAP-BUTTON	A-H,A C,AD, AP	3
60	MS27980-6C		..SNAP-SOCKET	A-H,A C,AD, AP	3
R 62	414T2251-144		.FOAM	B,D,G ,AD	1
R -62A	414T2251-147		.FOAM	AP	1
65	414T2100-12		.SEAT BASE ASSY- (OPT ITEM 65C)	B,E	1
-65A	414T2100-23		.SEAT BASE ASSY- (OPT ITEM 65D) (FOR DETAILS SEE FIG. 6)	D,F,G ,AC	1
-65B	414T2100-33		.SEAT BASE ASSY- (OPT ITEM 65E)	AD	1
-65C	414T2100-35		.SEAT BASE ASSY- (OPT ITEM 65)	B,E	1
-65D	414T2100-36		.SEAT BASE ASSY- (OPT ITEM 65A)	D,F,G ,AC	1
-65E	414T2100-37		.SEAT BASE ASSY- (OPT ITEM 65B)	AD	1
R 65F	414T2100-12		.SEAT BASE ASSY	A,C	1
R -65G	414T2100-23		.SEAT BASE ASSY- (FOR DETAILS SEE FIG. 6)	H	1
R -65H	414T2100-36		.SEAT BASE ASSY	AP	1

25-25-04

FIG. & ITEM	PART NO.	AIRLINE PART NUMBER	NOMENCLATURE 1234567	EFF CODE	QTY PER ASSY
01-70	BACB30NF4-8		..BOLT- (USED ON ITEMS 65, 65B)	A-C,E ,AD	2
-70A	BACB30NF4-9		..BOLT- (USED ON ITEMS 65C, 65D, 65E)	B,D,E ,F,G, AC,AD ,AP	2
72	0726802-3		..SPOOL- (V00679) (USED ON ITEMS 65C, 65D, 65E)	B,D,E ,F,G, AC,AD ,AP	2
75	BACB28Y4C022		..BUSHING	A-G,A C,AD, AP	2
80	AN960-416		..WASHER	A-G,A C,AD, AP	2
85	BACS18C10-4		..BUSHING-FLANGED	A-G,A C,AD, AP	2
90	BRH10A4		..NUT- (V52828) (SPEC BACN10JC4) (OPT T6S428J (V11815)) (OPT 96-048 (V80539)) (OPT VN303A048 (V92215)) (OPT RMLH9075-4W (V72962)) (OPT NS202101-048 (V80539)) (OPT H10-4BAC (V15653))	A-C,E	2
90A	MS21042L4		..NUT	D,F,G ,AC,A D,AP	2

25-25-04

FIG. & ITEM	PART NO.	AIRLINE PART NUMBER	NOMENCLATURE 1234567	EFF CODE	QTY PER ASSY
01-95	NAS514P832-6		..SCREW	A-G, A C, AD, AP	4
100	AN960PD8L		..WASHER	A-C, E	4
-100A	AN960JD8L		..WASHER	D, F, G , AC, A D, AP	4
105	H10-08BAC		..NUT- (V15653) (SPEC BACN10JC08) (OPT NS202101-82 (V80539)) (OPT RMLH9075-82W (V72962)) (OPT T6S832J (V71087)) (OPT VN303A82 (V92215)) (OPT 96-82 (V80539)) (OPT BRH10A08 (V52828))	A-C, E	4
-105A	MS21042L08		..NUT	D, F, G , AC, A D, AP	4
110	414T2101-21		..STRIKE PLATE	AD	2
115	2A1012-3		..STRIKE PLATE- (V31218) (USED ON ITEM 65D)	D, F, G , AC, A P	2
115A	2A1012-3		DELETED		

25-25-04

FIG. & ITEM	PART NO.	AIRLINE PART NUMBER	NOMENCLATURE 1234567	EFF CODE	QTY PER ASSY
01-120	27S3-5		..STUD ASSY- (V71286) (SPEC BACS21Y5FR)	A-G,A C,AD, AP	2
125	2600LW		..WASHER- (V71286) (SPEC BACW10X4) (OPT 1127700 (V60119))	A-G,A C,AD, AP	2
R -126	AS246-1		..BOLT- (V84256) (USED ON ITEMS 65C, 65D, 65E)	B,D-G ,AC,A D,AP	2
R -127	NAS1515H8H		..WASHER- (USED ON ITEMS 65C, 65D, 65E)	B,D-G ,AC,A D,AP	2
R -128	AS246-2		..NUT- (V84256) (USED ON ITEMS 65C, 65D, 65E)	B,D-G ,AC,A D,AP	2
R 129	414T2100-44		..KIT ASSY-SUBSTITUTE (OPT ITEM 137)	A-C,E ,AD	2
R 130	414T2022-1		...PIN-PIVOT	A-C,E ,AD	2
R 135	MS3217-1050		...CLIP	A-C,E ,AD	2
R -137	414T2100-43		..KIT ASSY-SUBSTITUTE (OPT ITEM 129)	A-C,E ,AD	2
R -140	AS246-1		...BOLT- (V84256)	A-C,E ,AD	2
-140A	AS246-1		DELETED		
R -145	NAS1515H8H		...WASHER	A-C,E ,AD,A P	2
-145A	NAS1515H8H		DELETED		
R -150	AS246-2		...NUT- (V84256)	A-C,E ,AD	2
-150A	AS246-2		DELETED		
155	414T2101-14		..SLEEVE-SPRING	A-G,A C,AD, AP	2

25-25-04

 ILLUSTRATED PARTS LIST
 01.1 Page 1032
 Jul 01/03

FIG. & ITEM	PART NO.	AIRLINE PART NUMBER	NOMENCLATURE 1234567	EFF CODE	QTY PER ASSY
01-160	414T2105-1		..SPRING-RETURN (OPT ITEM 160B) (USED ON ITEM 65)	A-C,E	1
-160A	414T2105-3		..SPRING-RETURN (OPT ITEM 160C) (USED ON ITEM 65B)	AD	1
-160B	414T2105-5		..SPRING-RETURN (OPT ITEM 160) (USED ON ITEM 65)	A-C,E	1
-160C	414T2105-7		..SPRING-RETURN (OPT ITEM 160A) (USED ON ITEM 65B)	AD	1
R -160D	414T2105-5		..SPRING-RETURN (USED ON ITEM 65C)	B,E	1
R -160E	414T2105-7		..SPRING-RETURN (USED ON ITEMS 65D, 65E)	D,F,G ,AC,A D,AP	1
165	414T2105-2		..SPRING-RETURN (OPT ITEM 165B) (USED ON ITEM 65)	A-C,E	1
-165A	414T2105-4		..SPRING-RETURN (OPT ITEM 165C) (USED ON ITEM 65B)	AD	1
-165B	414T2105-6		..SPRING-RETURN (OPT ITEM 165) (USED ON ITEM 65)	A-C,E	1
-165C	414T2105-8		..SPRING-RETURN (OPT ITEM 165A) (USED ON ITEM 65B)	AD	1
R -165D	414T2105-6		..SPRING-RETURN (USED ON ITEM 65C)	B,E	1
R -165E	414T2105-8		..SPRING-RETURN (USED ON ITEMS 65D, 65E)	D,F,G ,AC,A D,AP	1
170	MS16562-16		..PIN	A-G,A C,AD, AP	2
175	414T2101-19		..PIN	A-G,A C,AD, AP	2

25-25-04

FIG. & ITEM	PART NO.	AIRLINE PART NUMBER	NOMENCLATURE 1234567	EFF CODE	QTY PER ASSY
01-180	414T2101-1		..CAM ASSY	A-G,A C,AD, AP	1
185	414T2101-2		..CAM ASSY	A-G,A C,AD, AP	1
190	NAS538B4P018		...BUSHING-FLANGE	A-G,A C,AD, AP	2
195	414T2101-15		...INSERT-CAM	A-G,A C,AD, AP	1
200	414T2102-1		...CAM- (USED ON ITEM 180)	A-G,A C,AD, AP	1
200A	414T2102-2		...CAM- (USED ON ITEM 185)	A-G,A C,AD, AP	1
205	414T2107-3		..BRACKET ASSY-PIVOT	A-C,E	1
-205A	414T2107-7		..BRACKET ASSY-PIVOT	D,F,G ,AC,A D,AP	1
210	414T2107-4		..BRACKET ASSY	A-C,E	1
-210A	414T2107-8		..BRACKET ASSY	D,F,G ,AC,A D,AP	1
215	NAS537B4P36		...BUSHING	A-G,A C,AD, AP	1

25-25-04

FIG. & ITEM	PART NO.	AIRLINE PART NUMBER	NOMENCLATURE 1234567	EFF CODE	QTY PER ASSY
01-220	NAS538B4P50		...BUSHING	A-G, A C, AD, AP	1
225	414T2101-18		...BUSHING	A-G, A C, AD, AP	1
230	NAS538BP017		DELETED		
230A	NAS538B8P017		...BUSHING	A-G, A C, AD, AP	1
235	414T2103-3		...BRACKET-PIVOT (USED ON ITEM 205)	A-C, E	1
235A	414T2103-4		...BRACKET-PIVOT (USED ON ITEM 210)	A-C, E	1
-235B	414T2103-5		...BRACKET-PIVOT (USED ON ITEM 205A)	D, F, G , AC, A D, AP	1
-235C	414T2103-6		...BRACKET-PIVOT (USED ON ITEM 210A)	D, F, G , AC, A D, AP	1
240	414T2106-6		..SEAT ASSY-PAN	A-C, E	1
-240A	414T2106-7		..SEAT ASSY-PAN	D, F, G , AC, A D, AP	1
245	AF517-3-3		...RIVET- (V53551) (SPEC BACR15DR3P3) (OPT CCR274SS3-3 (V11815)) (OPT RV570A3-3 (V98996))	A-G, A C, AD, AP	4

25-25-04

FIG. & ITEM	PART NO.	AIRLINE PART NUMBER	NOMENCLATURE 1234567	EFF CODE	QTY PER ASSY
01-250	BRF100A3		...NUTPLATE- (V52828) (SPEC BACN10KB3F) (OPT F2000-3 (V15653)) (OPT RMF9207-3 (V72962)) (OPT T8114S1032S (V11815)) (OPT VN151A1-02 (V92215)) (OPT F2000-3 (V15653))	A-G,A C,AD, AP	2
255	BACR15BB4AD		...RIVET- (SIZE DETERMINE ON INST)	A-G,A C,AD, AP	2
260	414T2101-24		...SIDE RAIL ASSY	A-G,A C,AD, AP	1
265	414T2101-25		...SIDE RAIL ASSY	A-G,A C,AD, AP	1
270	BACB28X8M050	BUSHING-FLANGE	A-G,A C,AD, AP	2
275	BACR15BA6AD	RIVET- (SIZE DETERMINE ON INST)	A-G,A C,AD, AP	2
280	414T2101-6	SHIM	A-G,A C,AD, AP	1
285	414T2101-23	ACTUATOR ASSY	A-G,A C,AD, AP	1
290	BACR15BB6DD	RIVET- (SIZE DETERMINE ON INST)	A-G,A C,AD, AP	1

25-25-04

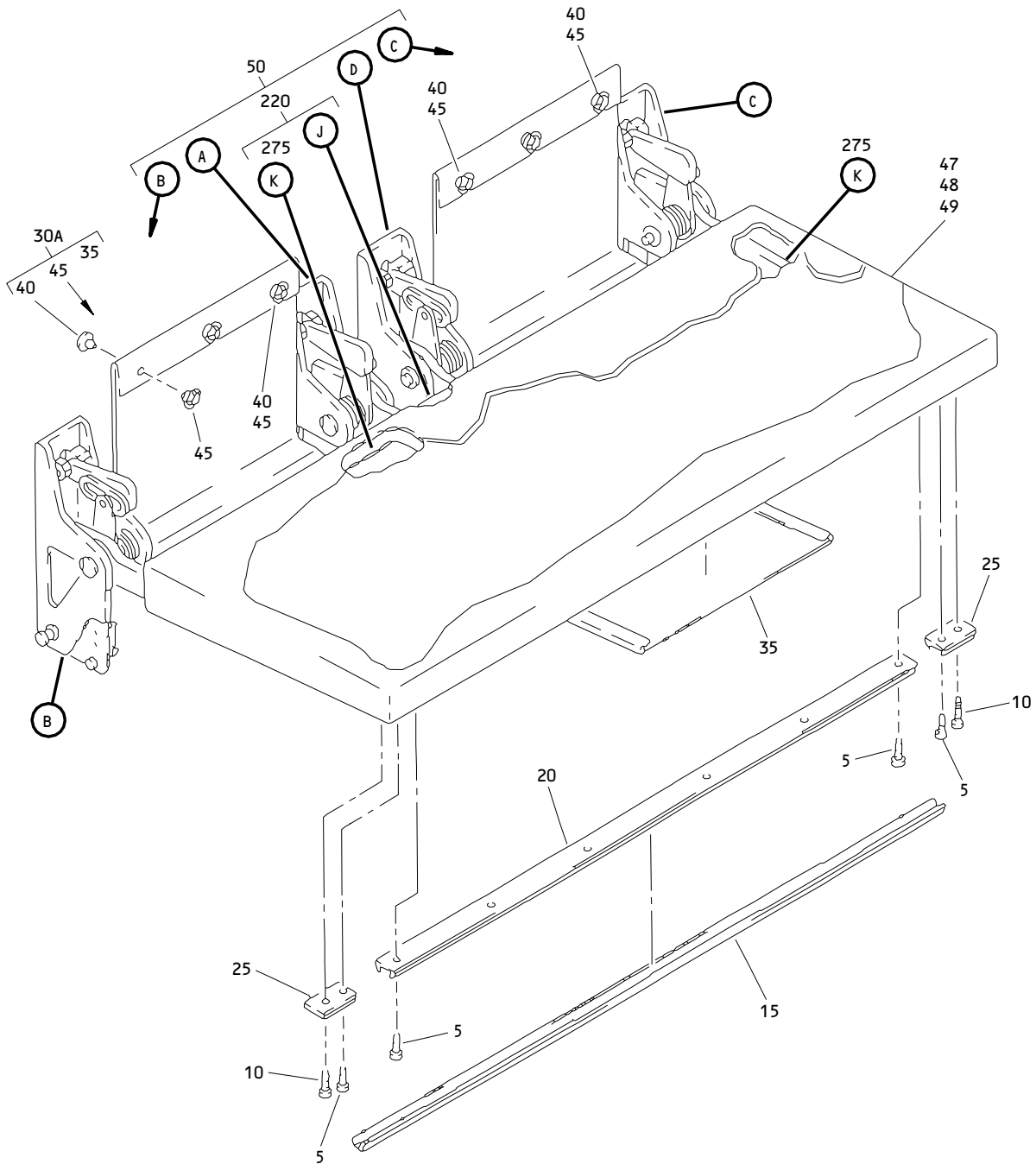
 ILLUSTRATED PARTS LIST
 01.1 Page 1036
 Jul 01/03

FIG. & ITEM	PART NO.	AIRLINE PART NUMBER	NOMENCLATURE 1234567	EFF CODE	QTY PER ASSY
01-295	NAS42DD4-28	SPACER	A-G,A C,AD, AP	1
300	414T2101-5	ACTUATOR-CAM	A-G,A C,AD, AP	1
305	414T2101-9	ARM-SUPPORT (USED ON ITEM 260)	A-G,A C,AD, AP	1
305A	414T2101-10	ARM-SUPPORT (USED ON ITEM 265)	A-G,A C,AD, AP	1
310	414T2104-2		...BEAM-REAR	A-G,A C,AD, AP	1
315	414T2104-5		...DOUBLER	A-G,A C,AD, AP	1
320	414T2104-1		...FACE SHEET-LOWER	A-G,A C,AD, AP	1
325	414T2104-3		...FACE SHEET-UPPER	A-G,A C,AD, AP	1
330	NAS1835A3		...INSERT	A-G,A C,AD, AP	5
335	414T2104-6		...SHIM	A-G,A C,AD, AP	1
R 340	414T2104-4		...CORE	A-G,A C,AD, AP	1
R 345	414T2100-20		.FOAM ASSY	C	1
R -345A	414T2100-24		.FOAM ASSY	E,F,H ,AC	1
R -347	414T2100-18		..THREAD-FIRE BLOCK	C,E,F ,H,AC	AR
R 348	414T2100-19		..LAYER-FIRE BLOCKING	C	AR
R -348A	414T2100-19		..LAYER-FIRE BLOCKING	E,F,H ,AC	AR
R 350	414T2251-144		..FOAM	C,E,F ,H,AC	1

- Item Not Illustrated

25-25-04

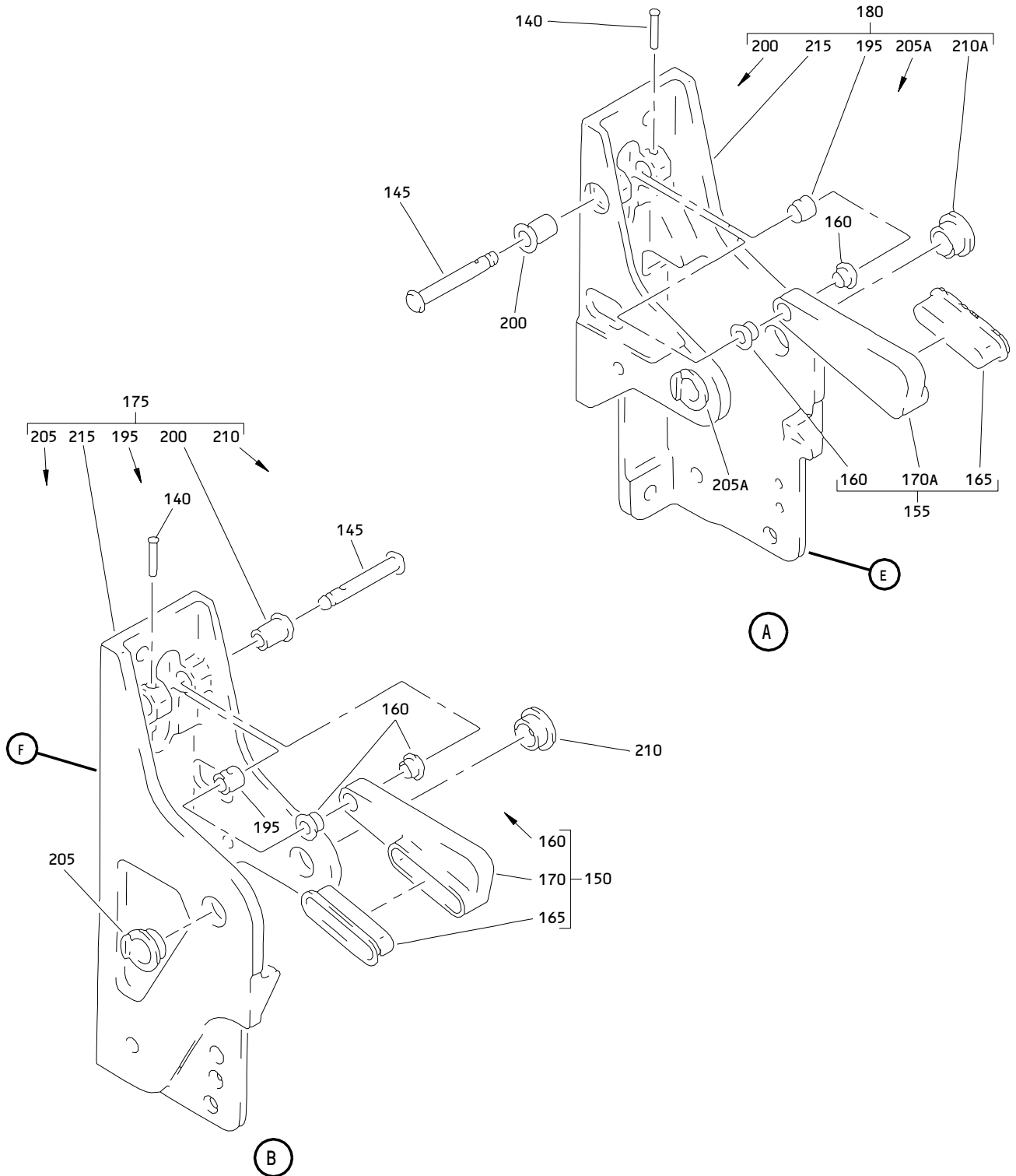
ILLUSTRATED PARTS LIST
01.1 Page 1037
Jul 01/03



**Seat Base Assembly
 Figure 2 (Sheet 1)**

25-25-04

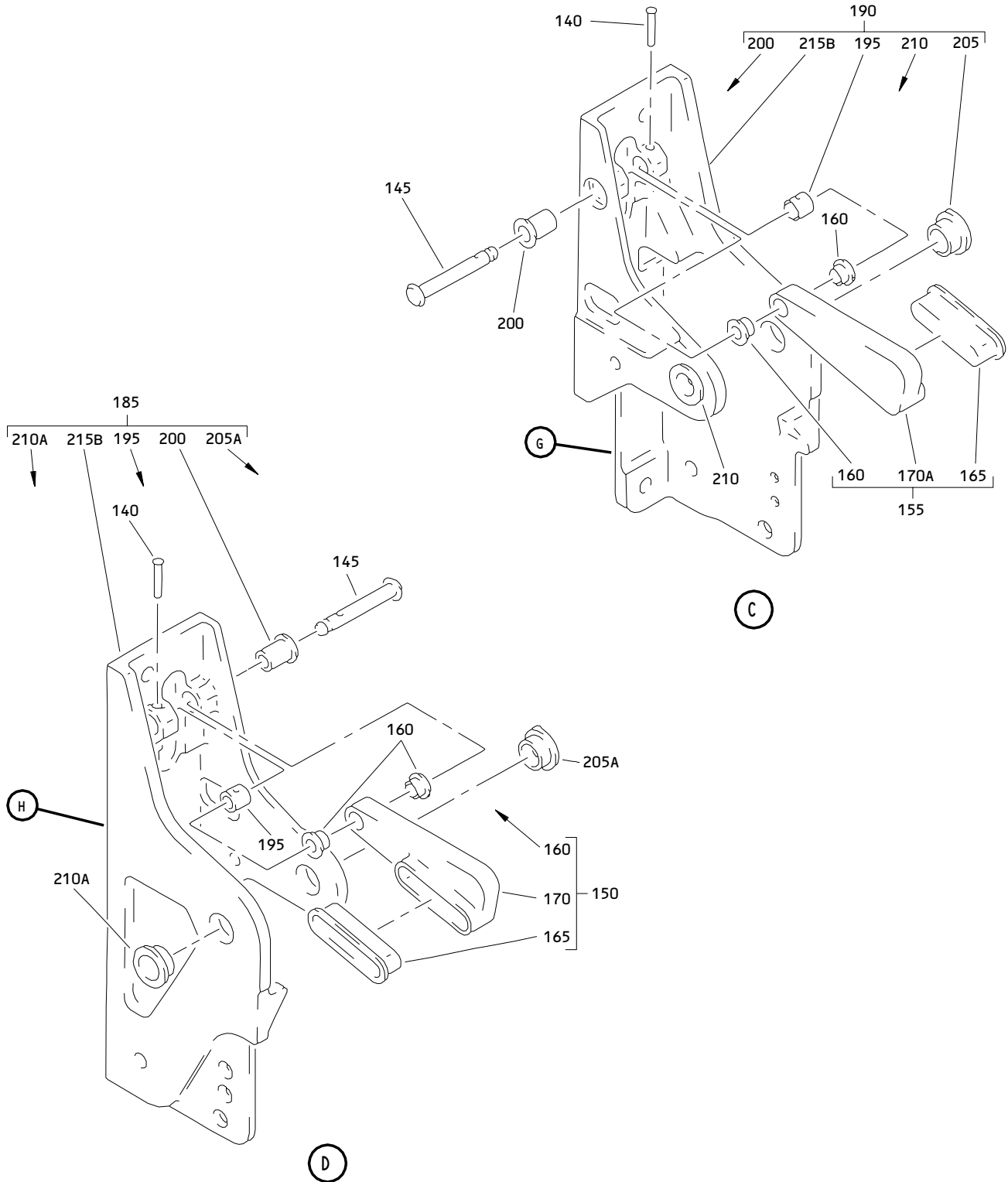
**ILLUSTRATED PARTS LIST
 01.1 Page 1038
 Jul 01/03**



Seat Base Assembly
 Figure 2 (Sheet 2)

25-25-04

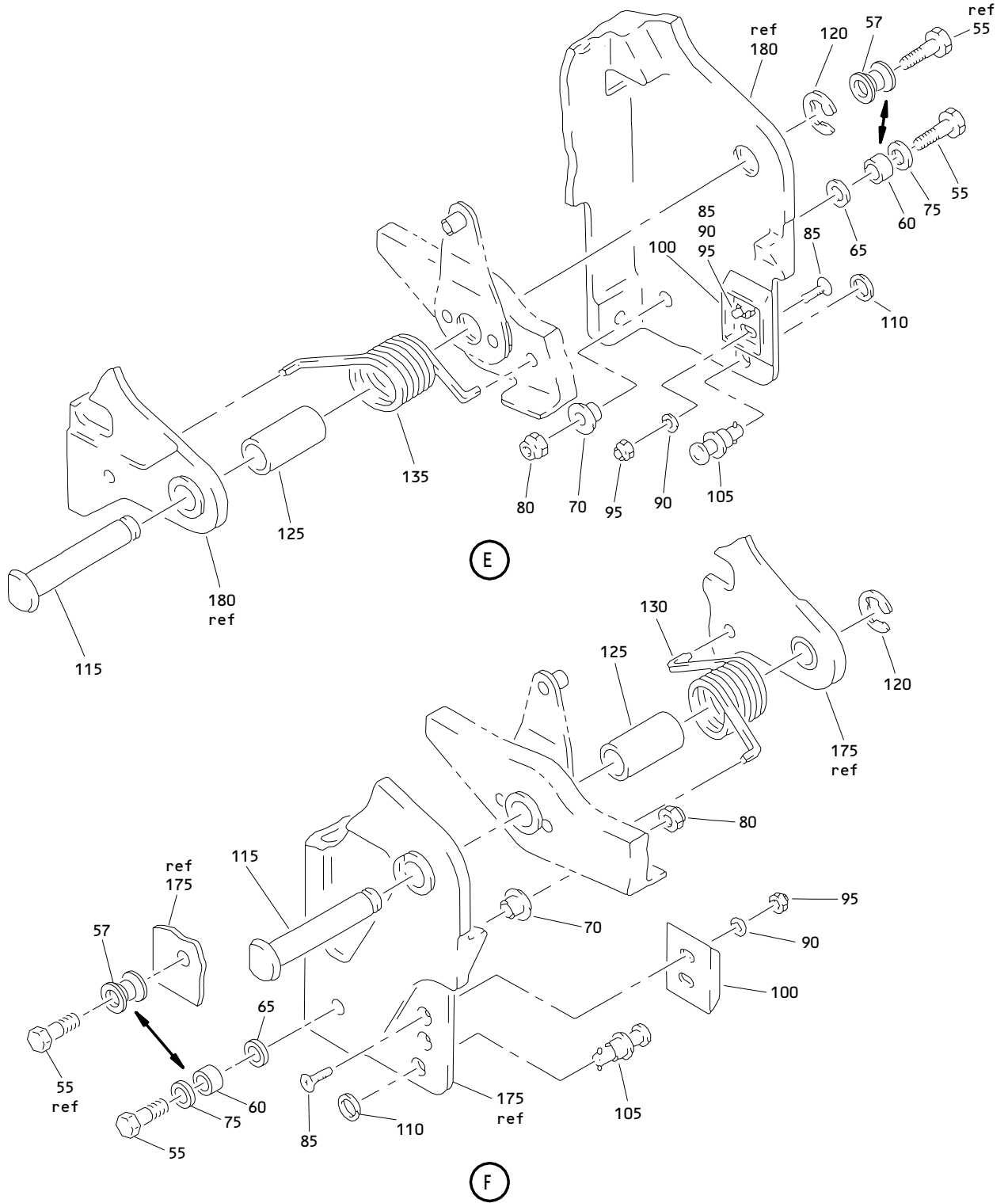
ILLUSTRATED PARTS LIST
 01.1 Page 1039
 Jul 01/03



Seat Base Assembly
 Figure 2 (Sheet 3)

25-25-04

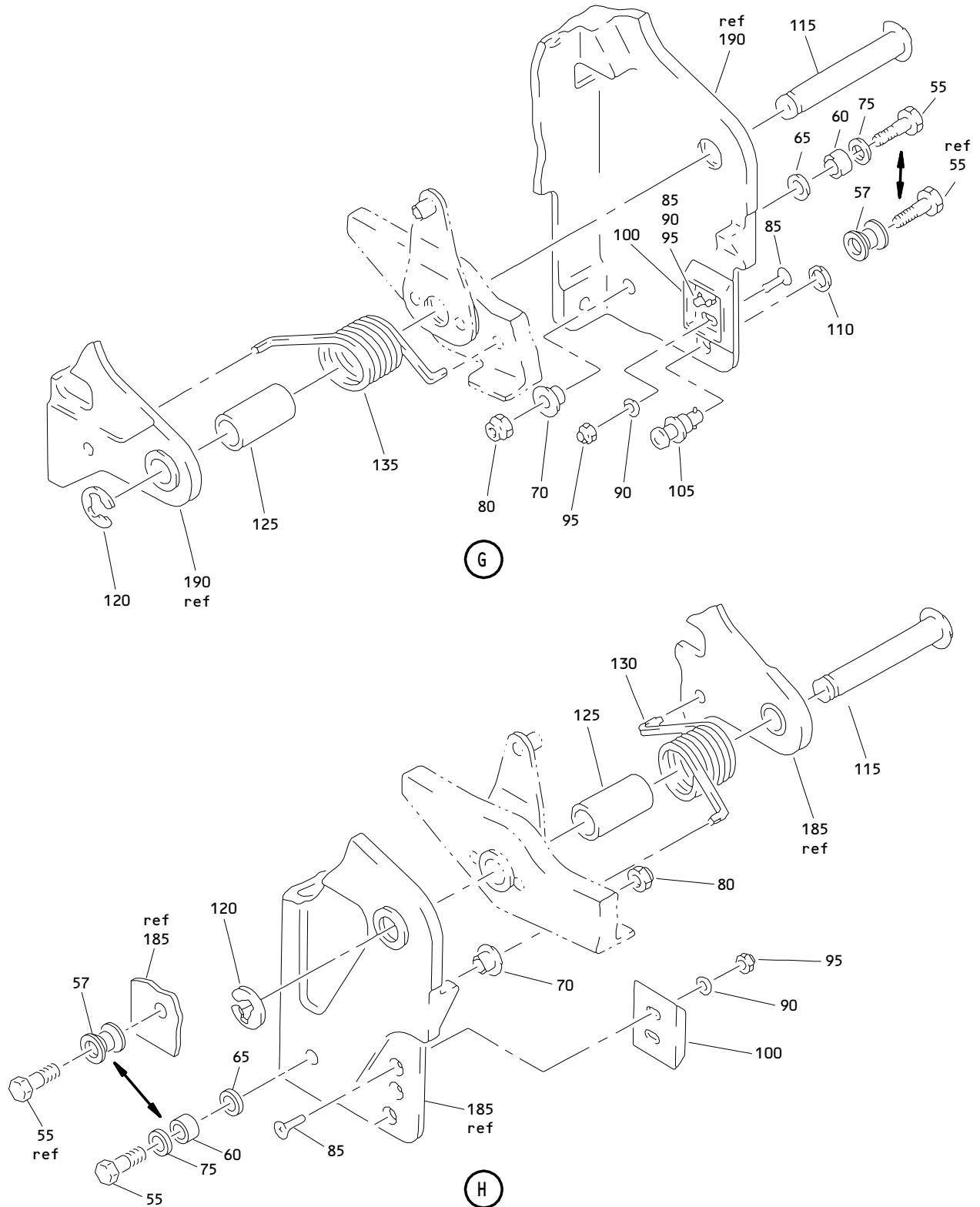
ILLUSTRATED PARTS LIST
 01.1 Page 1040
 Jul 01/03



Seat Base Assembly
 Figure 2 (Sheet 4)

25-25-04

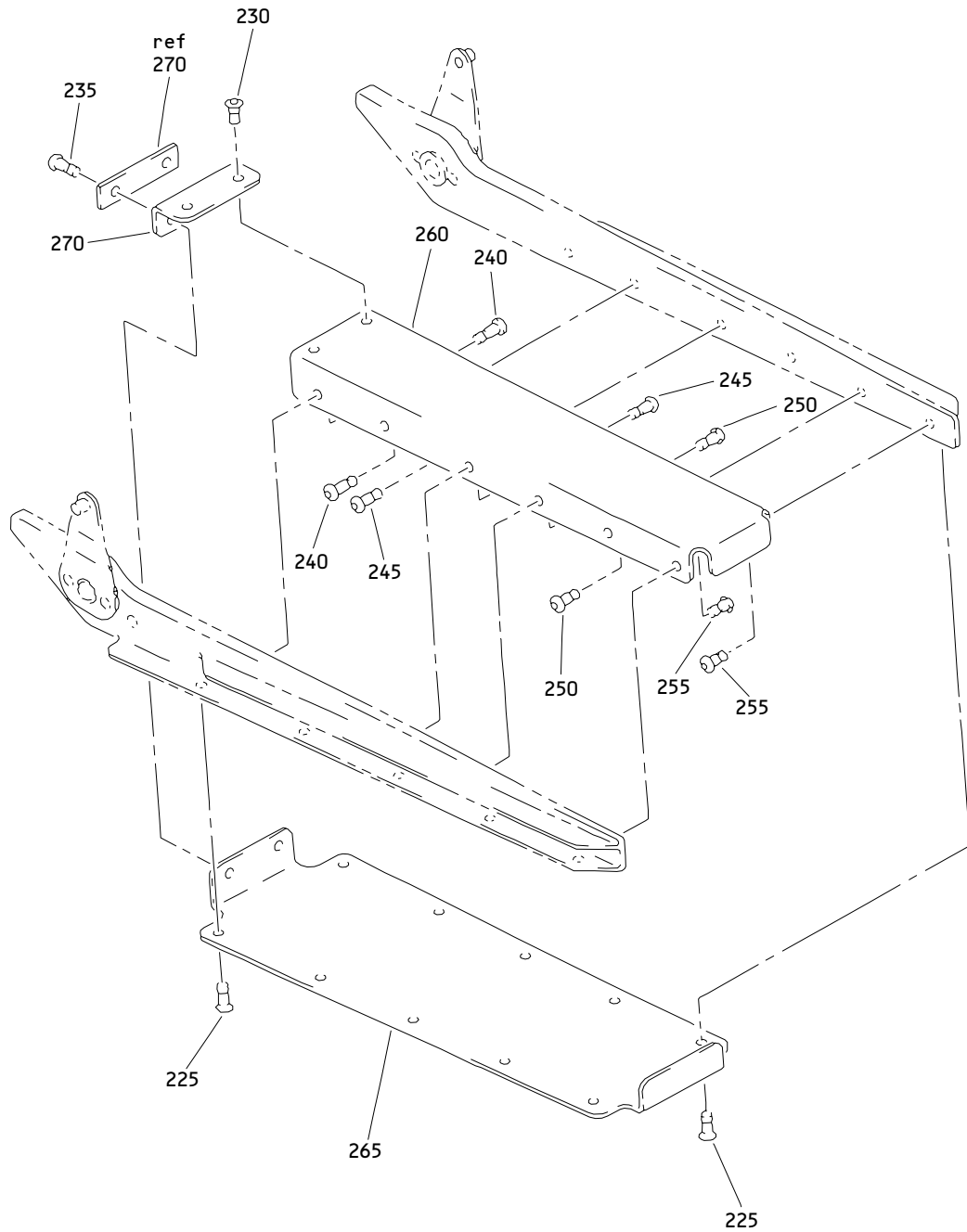
ILLUSTRATED PARTS LIST
 01.1 Page 1041
 Jul 01/03



Seat Base Assembly
 Figure 2 (Sheet 5)

25-25-04

ILLUSTRATED PARTS LIST
 01.1 Page 1042
 Jul 01/03

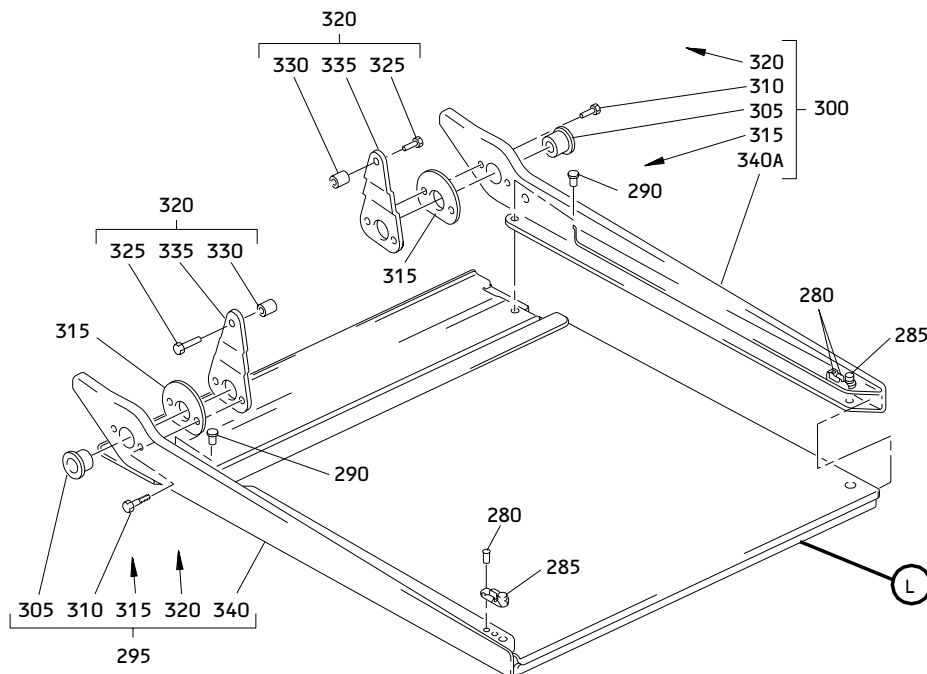


(J)

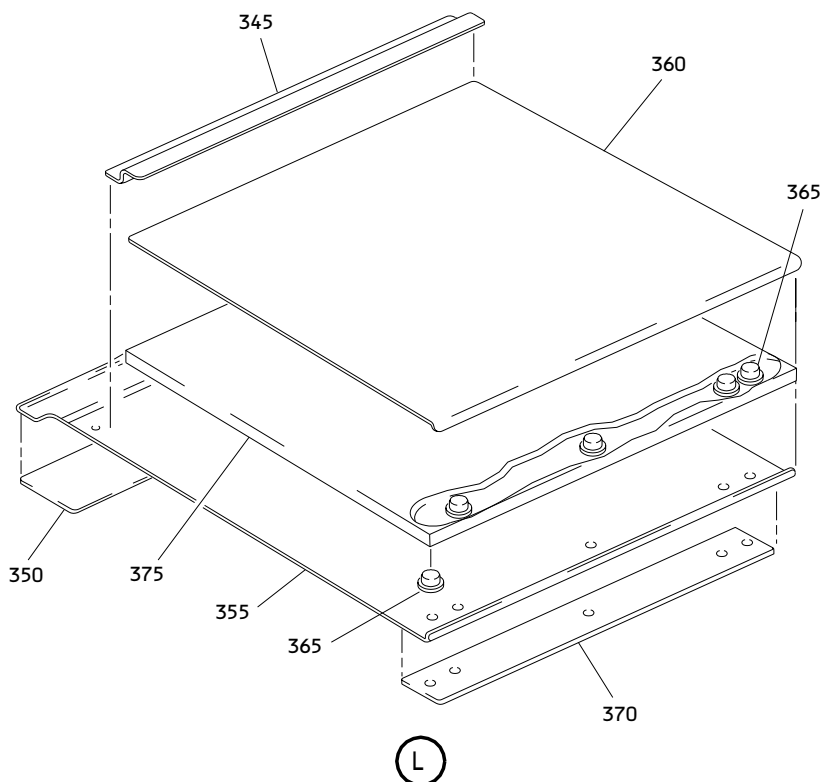
Seat Base Assembly
Figure 2 (Sheet 6)

25-25-04

ILLUSTRATED PARTS LIST
01.1 Page 1043
Jul 01/03



(K)



Seat Base Assembly
 Figure 2 (Sheet 7)

25-25-04

ILLUSTRATED PARTS LIST
 01.1 Page 1044
 Jul 01/03

FIG. & ITEM	PART NO.	AIRLINE PART NUMBER	NOMENCLATURE 1234567	EFF CODE	QTY PER ASSY
02-					
-1	414T2025-10SP		SEAT BASE ASSY-ATTENDANT	J	RF
-1A	414T2025-11SP		SEAT BASE ASSY-ATTENDANT	K	RF
-1B	414T2025-14SP		SEAT BASE ASSY-ATTENDANT	L	RF
-1C	414T2025-2SP		SEAT BASE ASSY-ATTENDANT	M	RF
-1D	414T2025-4SP		SEAT BASE ASSY-ATTENDANT	N	RF
-1E	414T2025-8SP		SEAT BASE ASSY-ATTENDANT	P	RF
-1F	414T2025-15SP		SEAT BASE ASSY-ATTENDANT	Y	RF
-1G	414T2025-17SP		SEAT BASE ASSY-ATTENDANT	Z	RF
-1H	414T2025-18SP		SEAT BASE ASSY-ATTENDANT	AA	RF
-1J	414T2025-19SP		SEAT BASE ASSY-ATTENDANT	AB	RF
R -1K	414T2025-23SP		SEAT BASE ASSY-ATTENDANT	AH	RF
R -1L	414T2025-24SP		SEAT BASE ASSY-ATTENDANT	AJ	RF
5	NAS603-8P		.SCREW	J-P, Y-AB, AH,AJ	8
10	NAS603-18P		.SCREW	J-P, Y-AB, AH,AJ	2
15	414T2358-6SP		.RUBSTRIP	J,Y-A B	1
-15A	414T2100-15		.RUBSTRIP-INSERT	K-P,A H,AJ	1
20	414T2358-5SP		.RUBSTRIP	J,Y-A B	1
-20A	414T2100-16		.RUBSTRIP	K-P,A H,AJ	1
25	414T2358-8SP		.END CAP	J,Y-A B	2
-25A	413T3702-1		DELETED		
-25B	413T3702-1SP		.CAP	K-P,A H,AJ	2
30	414T2044-17		DELETED		
30A	414T2044-20		.COVER ASSY	L	1
-30B	414T2044-21SP		.COVER ASSY	Y,AB	1
-30C	414T2044-17SP		.COVER ASSY	J,K, M-P,Z AH,A J	1
-30D	414T2044-22SP		.COVER ASSY	AA	1
35	414T2100-28		..POCKET-SEAT BASE	L,Y,A B	1
40	MS27980-1C		..SNAP-BUTTON	J-P, Y-AB, AH,AJ	6

25-25-04

FIG. & ITEM	PART NO.	AIRLINE PART NUMBER	NOMENCLATURE 1234567	EFF CODE	QTY PER ASSY
02-45	MS27980-6C		..SNAP-SOCKET	J-P, Y-AB, AH,AJ	6
R 47	414T2045-16		.FOAM	J,N,Z ,AH	1
R -47A	414T2045-1		.FOAM	M	1
R -47B	414T2045-17		.FOAM	AA	1
R 48	414T2025-7		.FOAM ASSY	P	1
R -48A	414T2025-13		.FOAM ASSY	K,L,Y ,AB,A J	1
R 49	414T2045-16		..FOAM	K,L,P ,Y,AB ,AJ	1
50	414T2025-9		.SEAT BASE ASSY- (OPT ITEM 50D)	J,Y,A A	1
-50A	414T2025-3		.SEAT BASE ASSY- (OPT ITEM 50C)	K,N,P	1
-50B	414T2025-16		.SEAT BASE ASSY- (OPT ITEM 50E)	Z,AB	1
-50C	414T2025-20		.SEAT BASE ASSY- (OPT ITEM 50A) (FOR DETAILS SEE FIG. 5)	K,N,P	1
-50D	414T2025-21		.SEAT BASE ASSY- (OPT ITEM 50)	J,Y,A A	1
-50E	414T2025-22		.SEAT BASE ASSY- (OPT ITEM 50B)	Z,AB	1
R -50F	414T2025-3		.SEAT BASE ASSY	L,M	1
R -50G	414T2025-20		.SEAT BASE ASSY- (FOR DETAILS SEE FIG. 5)	AH,AJ	1

25-25-04

 ILLUSTRATED PARTS LIST
 01.1 Page 1046
 Jul 01/03

FIG. & ITEM	PART NO.	AIRLINE PART NUMBER	NOMENCLATURE 1234567	EFF CODE	QTY PER ASSY
02-55	BACB30NF4-9		..BOLT- (USED ON ITEMS 50, 50B, 50D, 50E)	J,K,N P, Y-AB	4
-55A	BACB30NF4-8		..BOLT- (USED ON ITEM 50A)	K-P	4
-55B	BACB30NF4-10		..BOLT- (USED ON ITEM 50, 50B)	J,Y-A B	4
-55C 57	BACB30NF4-9 0726802-3		DELETED ..SPOOL- (V00679) (USED ON ITEMS 50C, 50D, 50E)	J,Y-A B	4
-57A 60	0726802-3 BACB28Y4C022		DELETED ..BUSHING- (USED ON ITEMS 50, 50A 50B)	J-P, Y-AB	4
-60A 65	BACB28Y4C022 AN960-416		DELETED ..WASHER- (USED ON ITEMS 50, 50A, 50B)	J-P, Y-AB	4
-65A 70	AN960-416 BACS18C10-4		DELETED ..BUSHING-FLANGED	J-P, Y-AB	4
75	BACW10P186C		..WASHER- (USED ON ITEMS 50, 50B)	J,Y-A B	4
-75A 80	BACW10P186C MS21042L4		DELETED ..NUT- (USED ON ITEMS 50, 50B)	J,Y-A B	4

25-25-04

FIG. & ITEM	PART NO.	AIRLINE PART NUMBER	NOMENCLATURE 1234567	EFF CODE	QTY PER ASSY
02- -80A	BRH10A4		..NUT- (V52828) (SPEC BACN10JC4) (OPT T6S428J (V11815)) (OPT 96-048 (V80539)) (OPT VN303A048 (V92215)) (OPT RMLH9075-4W (V72962)) (OPT NS202101-048 (V80539)) (OPT H10-4BAC (V15653)) (USED ON ITEM 50A)	K-P	4
-80B	MS21042L4		..NUT- (USED ON ITEMS 50D,50E)	J,K,N ,P, Y-AB	4
85	NAS514P832-6		..SCREW	J-P, Y-AB	8
90	AN960JD8L		..WASHER	J,Y-A B	8
-90A	AN960PD8L		..WASHER	K-P	8
95	MS21042L08		..NUT	J,Y-A B	8
-95A	H10-08BAC		..NUT- (V15653) (SPEC BACN10JC08) (OPT NS202101-82 (V80539)) (OPT RMLH9075-82W (V72962)) (OPT T6S832J (V71087)) (OPT VN303A82 (V92215)) (OPT 96-82 (V80539)) (OPT BRH10A08 (V52828))	K-P	8

25-25-04

 ILLUSTRATED PARTS LIST
 01.1 Page 1048
 Jul 01/03

FIG. & ITEM	PART NO.	AIRLINE PART NUMBER	NOMENCLATURE 1234567	EFF CODE	QTY PER ASSY
02-100	2A1012-3		..STRIKE PLATE- (V31218)	J,Y,A A	4
R -100A	414T2101-21		..STRIKE PLATE	K-P,Z ,AB	4
105	27S3-5		..STUD ASSY- (V71286) (SPEC BACS21Y5FR)	J-P, Y-AB	2
110	2600LW		..WASHER- (V71286) (SPEC BACW10X4) (OPT 1127700 (V60119))	J-P, Y-AB	2
115	414T2022-1		..PIN-PIVOT	J-P, Y-AB	4
120	MS3217-1050		..CLIP	J-P, Y-AB	4
125	414T2101-14		..SLEEVE-SPRING	J-P, Y-AB	4
130	414T2105-3		..SPRING-RETURN (OPT ITEM 130C) (USED ON ITEMS 50,50B)	J,Y,Z ,AA,A B	2
-130A	414T2105-1		..SPRING-RETURN (OPT ITEM 130B) (USED ON ITEM 50A)	K-P	2
-130B	414T2105-5		..SPRING-RETURN (OPT ITEM 130A) (USED ON ITEM 50A)	K-P	2
-130C	414T2105-7		..SPRING-RETURN (USED ON ITEMS 50,50D, 50E)	J,Y-A B	2
-130D	414T2105-3		DELETED		
-130E	414T2105-7		DELETED		
-130F	414T2105-5		DELETED		
135	414T2105-4		..SPRING-RETURN (OPT ITEM 135C) (USED ON ITEMS 50,50B)	J,Y-A B	2

25-25-04

FIG. & ITEM	PART NO.	AIRLINE PART NUMBER	NOMENCLATURE 1234567	EFF CODE	QTY PER ASSY
02- -135A	414T2105-2		..SPRING-RETURN (OPT ITEM 135B) (USED ON ITEM 50A)	K-P	2
-135B	414T2105-6		..SPRING-RETURN (OPT ITEM 135A) (USED ON ITEM 50A)	K-P	2
-135C	414T2105-8		..SPRING-RETURN (OPT ITEM 135) (USED ON ITEMS 50,50D, 50E)	J,Y-A B	2
135D	414T2105-4		DELETED		
-135E	414T2105-6		DELETED		
-135F	414T2105-8		DELETED		
140	MS16562-16		..PIN	J-P, Y-AB	4
145	414T2101-19		..PIN	J-P, Y-AB	4
150	414T2101-1		..CAM ASSY	J-P, Y-AB	2
155	414T2101-2		..CAM ASSY	J-P, Y-AB	2
160	NAS538B4P018		...BUSHING-FLANGE	J-P, Y-AB	1
165	414T2101-15		...INSERT-CAM	J-P, Y-AB	1
170	414T2102-1		...CAM- (USED ON ITEM 150)	J-P, Y-AB	1
-170A	414T2102-2		...CAM- (USED ON ITEM 155)	J-P, Y-AB	1
175	414T2107-7		..BRACKET ASSY-PIVOT	J,Y-A B	1

25-25-04

 ILLUSTRATED PARTS LIST
 01.1 Page 1050
 Jul 01/03

FIG. & ITEM	PART NO.	AIRLINE PART NUMBER	NOMENCLATURE 1234567	EFF CODE	QTY PER ASSY
02-					
-175A	414T2107-3		..BRACKET ASSY-PIVOT	K-P	1
180	414T2107-9		..BRACKET ASSY-PIVOT	J,Y-A B	1
-180A	414T2107-5		..BRACKET ASSY-PIVOT	K-P	1
185	414T2107-10		..BRACKET ASSY-PIVOT	J,Y-A B	1
-185A	414T2107-6		..BRACKET ASSY-PIVOT	K-P	1
190	414T2107-8		..BRACKET ASSY-PIVOT	J,Y-A B	1
-190A	414T2107-4		..BRACKET ASSY-PIVOT	K-P	1
195	NAS537B4P36		...BUSHING	J-P, Y-AB	1
200	NAS538B4P50		...BUSHING	J-P, Y-AB	1
205	414T2101-18		...BUSHING- (USED ON ITEMS 175, 175A, 190, 190A)	J-P, Y-AB	1
-205A	NAS538B8P022		...BUSHING- (USED ON ITEMS 180, 180A, 185, 185A)	J-P, Y-AB	1
210	NAS538B8P017		...BUSHING- (USED ON ITEMS 175, 175A, 190, 190A)	J-P, Y-AB	1
-210A	414T2101-22		...BUSHING- (USED ON ITEMS 180, 180A, 185, 185A)	J-P, Y-AB	1
215	414T2103-5		...BRACKET-PIVOT (USED ON ITEMS 175, 180)	J,Y-A B	1
-215A	414T2103-3		...BRACKET-PIVOT (USED ON ITEMS 175A, 180A)	K-P	1
-215B	414T2103-6		...BRACKET-PIVOT (USED ON ITEMS 185, 190)	J,Y-A B	1
-215C	414T2103-4		...BRACKET-PIVOT (USED ON ITEMS 185A, 190A)	K-P	1

25-25-04

FIG. & ITEM	PART NO.	AIRLINE PART NUMBER	NOMENCLATURE 1234567	EFF CODE	QTY PER ASSY
02-220	414T2024-6		..SEAT ASSY-PAN	J,Y-A B	1
-220A	414T2024-4		..SEAT ASSY-PAN	K-P	1
225	NAS1739E5-2		...RIVET	J-P, Y-AB	10
230	NAS1738E4-2		...RIVET	J-P, Y-AB	2
235	NAS1738E5-2		...RIVET	J-P, Y-AB	2
240	NAS1738E5-7		...RIVET	J-P, Y-AB	4
245	NAS1738E5-6		...RIVET	J-P, Y-AB	2
250	NAS1738E5-5		...RIVET	J-P, Y-AB	4
255	NAS1738E5-4		...RIVET	J-P, Y-AB	4
260	414T2023-4		...PLATE-JOINER	J-P, Y-AB	1
265	414T2023-5		...PLATE-JOINER	J-P, Y-AB	1
270	414T2023-6		...PLATE-JOINER	J-P, Y-AB	1
275	414T2106-7		...SEAT ASSY-PAN	J,Y-A B	1
-275A	414T2106-6		...SEAT ASSY-PAN	K-P	1
280	AF517-3-3	RIVET- (V53551) (SPEC BACR15DR3P3) (OPT CCR274SS3-3 (V11815)) (OPT RV570A3-3 (V98996))	J-P, Y-AB	4

25-25-04

 ILLUSTRATED PARTS LIST
 01.1 Page 1052
 Jul 01/03

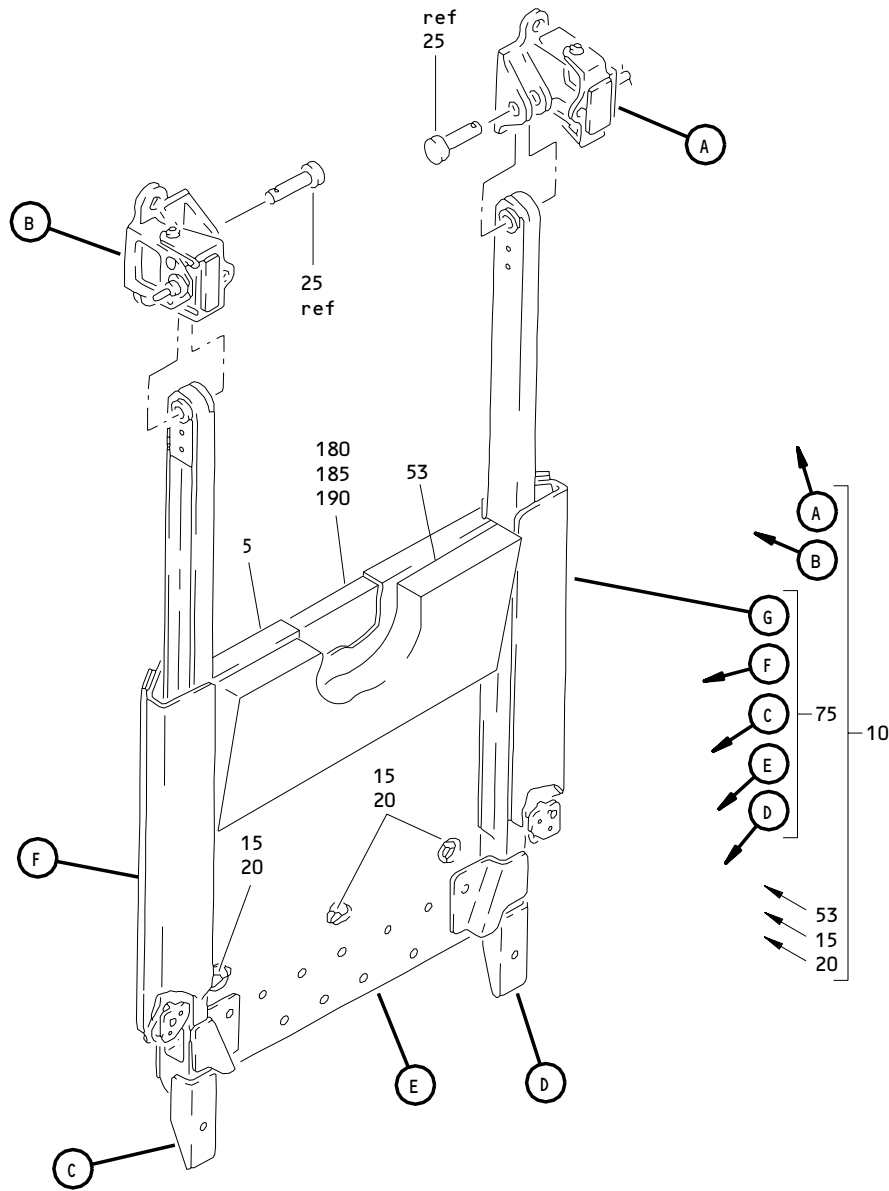
FIG. & ITEM	PART NO.	AIRLINE PART NUMBER	NOMENCLATURE 1234567	EFF CODE	QTY PER ASSY
02-285	BRF100A3	NUTPLATE- (V52828) (SPEC BACN10KB3F) (OPT F2000-3 (V15653)) (OPT RMF9207-3 (V72962)) (OPT T8114S1032S (V11815)) (OPT VN151A1-02 (V92215)) (OPT F2000-3 (V15653))	J-P, Y-AB	2
290	BACR15BB4AD	RIVET- (SIZE DETERMINE ON INST)	J-P, Y-AB	2
295	414T2101-24	SIDE RAIL ASSY	J-P, Y-AB	1
300	414T2101-25	SIDE RAIL ASSY	J-P, Y-AB	1
305	BACB28X8M050	BUSHING-FLANGE	J-P, Y-AB	2
310	BACR15BA6AD	RIVET- (SIZE DETERMINE ON INST)	J-P, Y-AB	2
315	414T2101-6	SHIM	J-P, Y-AB	1
320	414T2101-23	ACTUATOR ASSY	J-P, Y-AB	1
325	BACR15BB6DD	RIVET- (SIZE DETERMINE ON INST)	J-P, Y-AB	1
330	NAS42DD4-28	SPACER	J-P, Y-AB	1
335	414T2101-5	ACTUATOR-CAM	J-P, Y-AB	1
340	414T2101-9	ARM-SUPPORT (USED ON ITEM 295)	J-P, Y-AB	1
340A	414T2101-10	ARM-SUPPORT (USED ON ITEM 300)	J-P, Y-AB	1
345	414T2104-2	BEAM-REAR	J-P, Y-AB	1
350	414T2104-5	DOUBLER	J-P, Y-AB	1
355	414T2104-1	FACE SHEET-LOWER	J-P, Y-AB	1

25-25-04

FIG. & ITEM	PART NO.	AIRLINE PART NUMBER	NOMENCLATURE 1234567	EFF CODE	QTY PER ASSY
02-360	414T2104-3	FACE SHEET-UPPER	J-P, Y-AB	1
365	NAS1835A3	INSERT	J-P, Y-AB	5
370	414T2104-6	SHIM	J-P, Y-AB	1
R 375	414T2104-4	CORE	J-P, Y-AB	1

- Item Not Illustrated

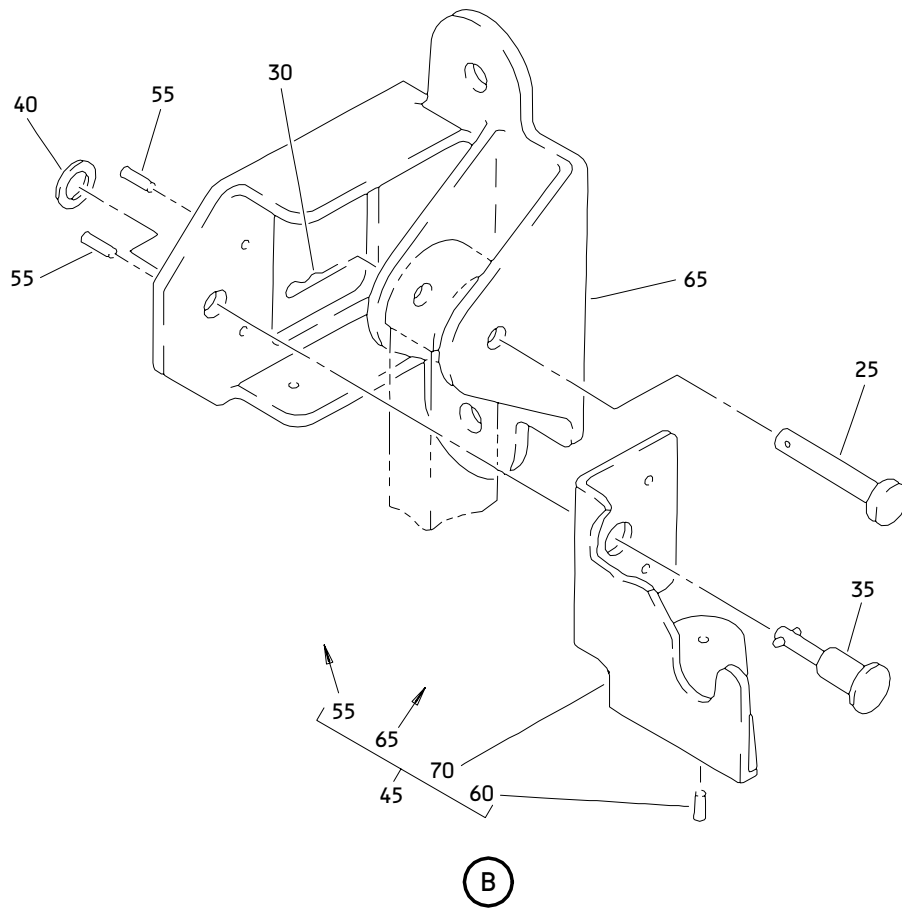
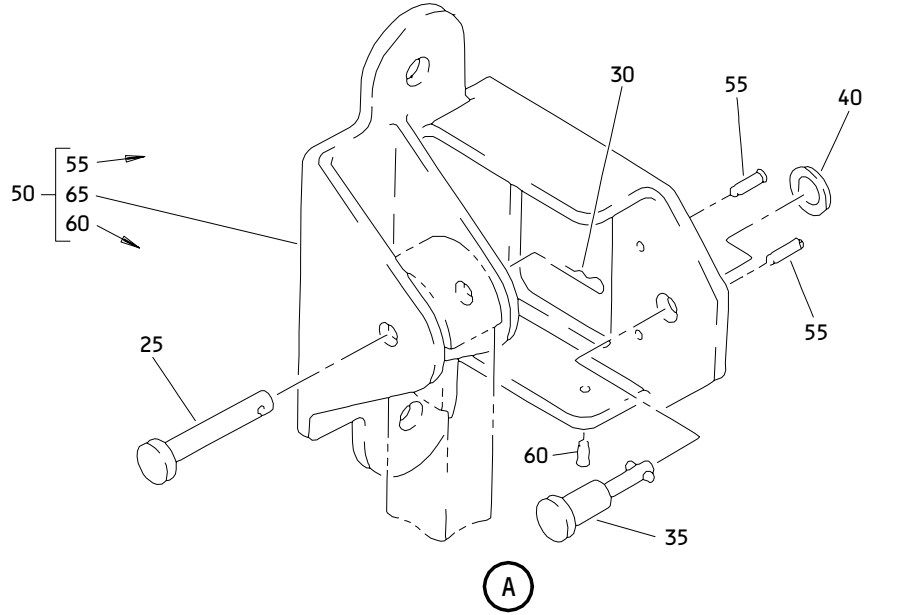
25-25-04



Lower Seat Back Assembly
 Figure 3 (Sheet 1)

25-25-04

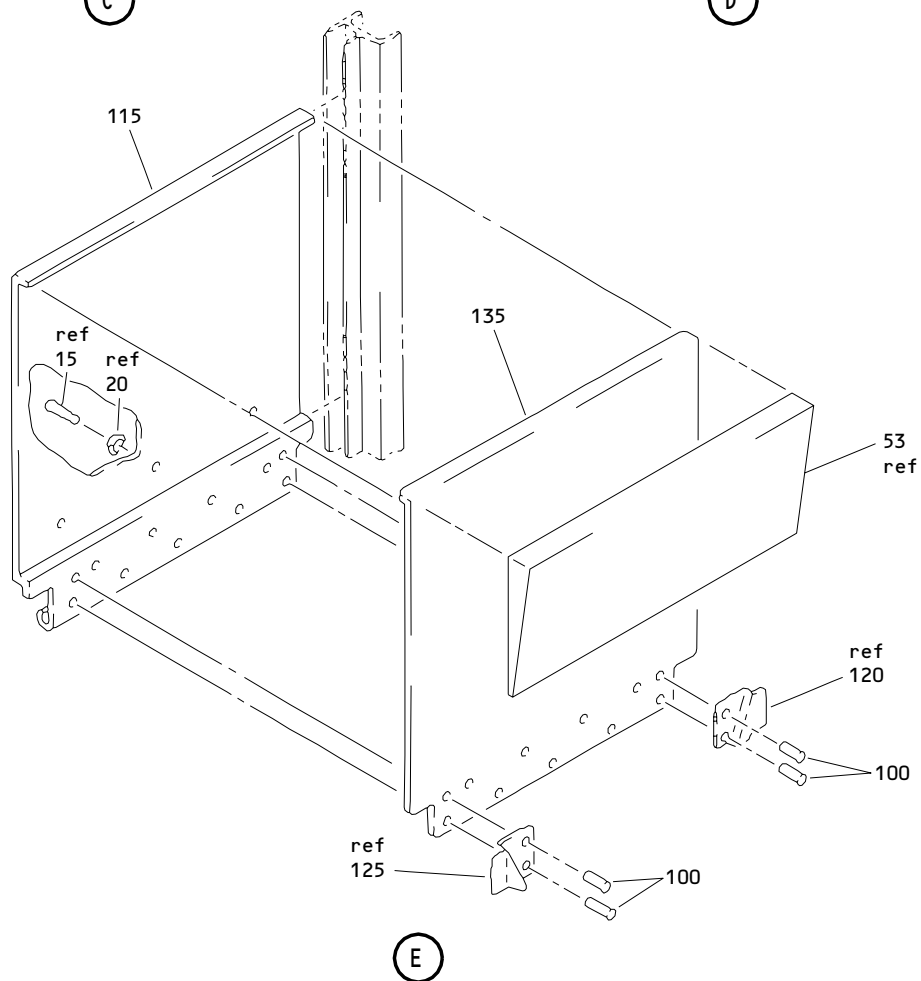
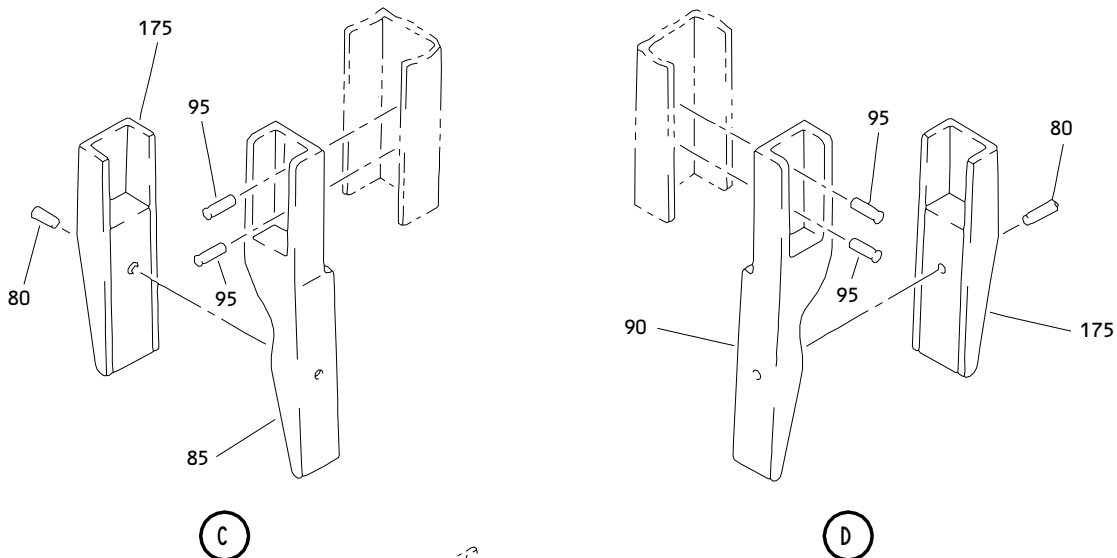
ILLUSTRATED PARTS LIST
 01.1 Page 1056
 Jul 01/03



Lower Seat Back Assembly
Figure 3 (Sheet 2)

25-25-04

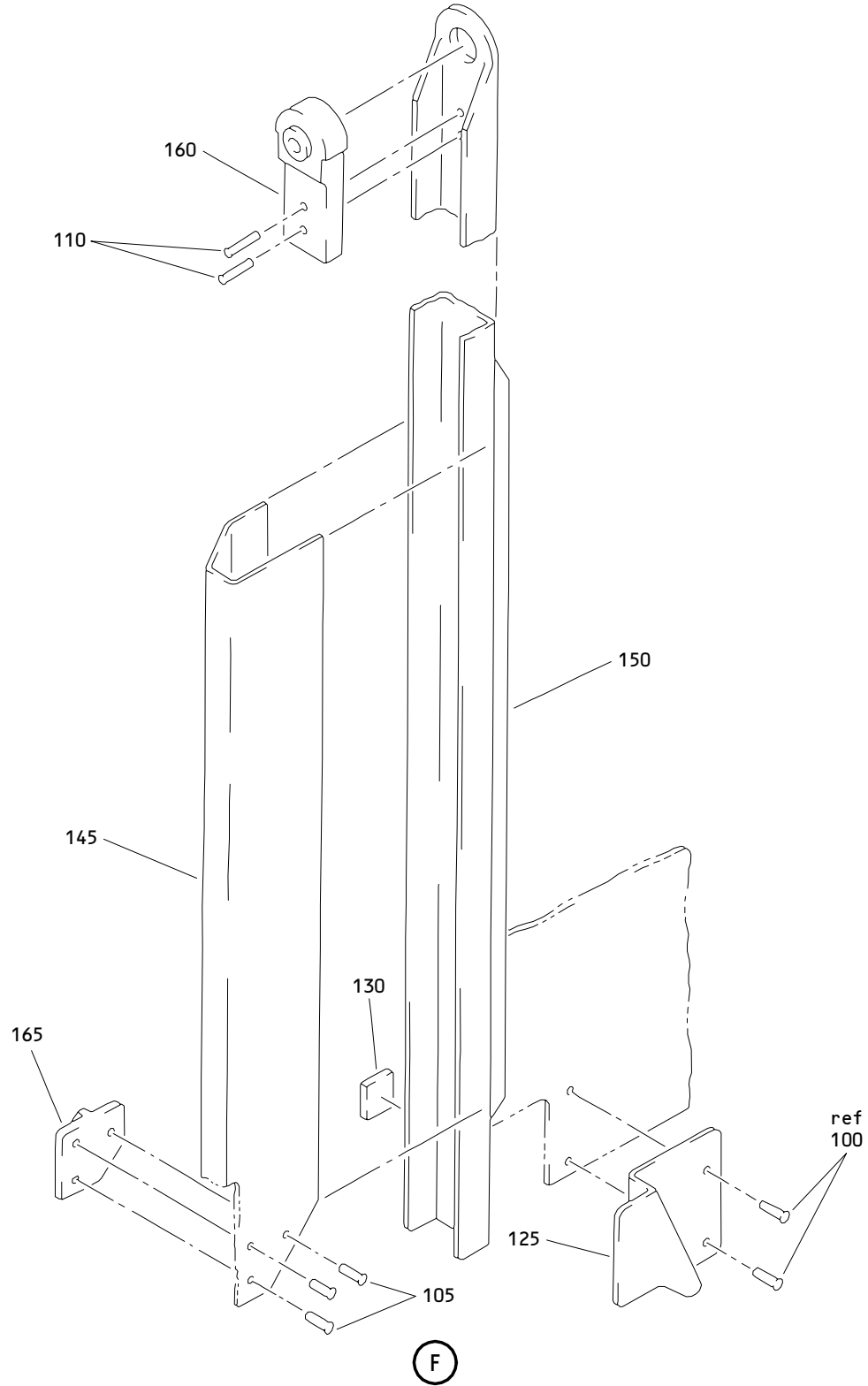
ILLUSTRATED PARTS LIST
01.1 Page 1057
Jul 01/03



**Lower Seat Back Assembly
 Figure 3 (Sheet 3)**

25-25-04

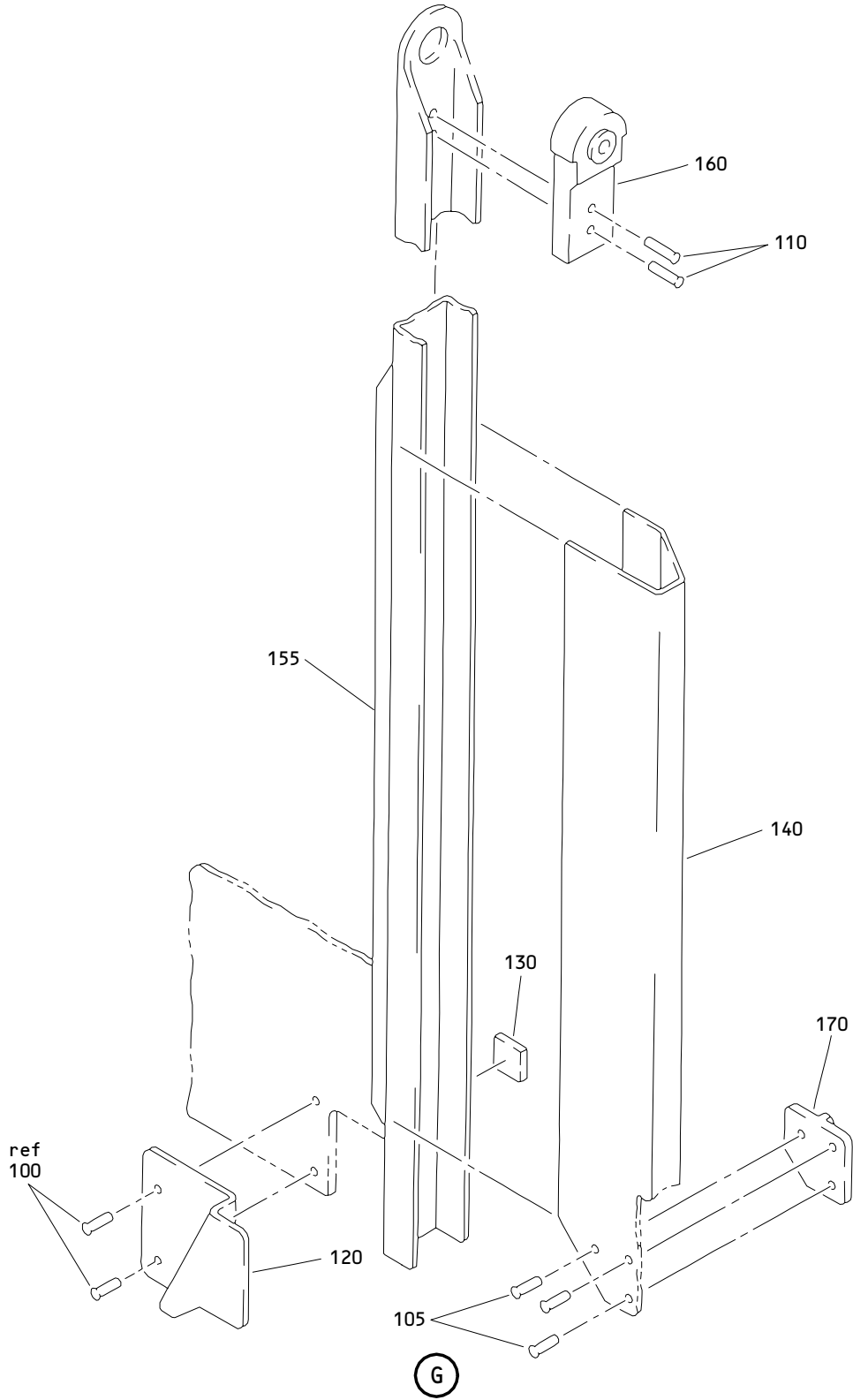
**ILLUSTRATED PARTS LIST
 01.1 Page 1058
 Jul 01/03**



Lower Seat Back Assembly
Figure 3 (Sheet 4)

25-25-04

ILLUSTRATED PARTS LIST
01.1 Page 1059
Jul 01/03



Lower Seat Back Assembly
Figure 3 (Sheet 5)

25-25-04

ILLUSTRATED PARTS LIST
01.1 Page 1060
Jul 01/03

FIG. & ITEM	PART NO.	AIRLINE PART NUMBER	NOMENCLATURE 1234567	EFF CODE	QTY PER ASSY
03- -1	414T2050-21SP		SEAT BACK ASSY-LWR, ATTENDANT	Q	RF
-1A	414T2050-26SP		SEAT BACK ASSY-LWR, ATTENDANT	R	RF
-1B	414T2050-28SP		SEAT BACK ASSY-LWR, ATTENDANT	S	RF
-1C	414T2050-33SP		SEAT BACK ASSY-LWR, ATTENDANT	T	RF
R -1D	414T2050-32SP		SEAT BACK ASSY-LWR, ATTENDANT	AK	RF
R -1E	414T2050-36SP		SEAT BACK ASSY-LWR, ATTENDANT	AL	RF
R -1F	414T2050-19SP		SEAT BACK ASSY-LWR, ATTENDANT	AM	RF
5	414T2050-17SP		.COVER ASSY	Q-T,A K,AM	1
R -5A	414T2050-35SP		.COVER ASSY	AL	1
10	414T2050-22		.SEAT BACK ASSY	Q,R,A K	1
-10A	414T2050-29		.SEAT BACK ASSY	S,T,A L	1
R -10B	414T2050-20		.SEAT BACK ASSY	AM	1
15	BACR15DA4-2		..RIVET	Q-T,A K-AM	3
20	MS27980-7C		..FASTENER- (OPT ITEM 20A)	Q-T,A K-AM	3
-20A	MS27980-7B		..FASTENER- (OPT ITEM 20)	Q-T,A K-AM	3
25	MS20392-3C27		..PIN	Q-T,A K-AM	2
30	AN415-5		..PIN	Q-T,A K-AM	2
35	27S3-5		..STUD ASSY- (V71286) (SPEC BACS21Y5FR)	Q-T,A K-AM	2
R 40	2600LW		..WASHER- (V71286) (SPEC BACW10X4) (OPT 1127700 (V60119))	Q-T,A K-AM	2

25-25-04

FIG. & ITEM	PART NO.	AIRLINE PART NUMBER	NOMENCLATURE 1234567	EFF CODE	QTY PER ASSY
03-45	414T2052-5		..BRACKET ASSY-PIVOT	Q,R,A K,AM	1
-45A	414T2052-8		..BRACKET ASSY-PIVOT	S,T,A L	1
50	414T2052-6		..BRACKET ASSY-PIVOT	Q,R,A K,AM	1
-50A	414T2052-9		..BRACKET ASSY-PIVOT	S,T,A L	1
53	414T2350-32		..BRACKET-FOAM SUPPORT	Q,R,A K	1
-53A	414T2350-41		..BRACKET-FOAM SUPPORT	S,T,A L	1
R-53B	414T2251-62		..FOAM-IMPACT	AM	1
55	BACR15BA5AD		...RIVET- (SIZE DETERMINE ON INST)	Q-T,A K-AM	2
60	BACR15BB5AD		...RIVET- (SIZE DETERMINE ON INST)	Q-T,A K-AM	1
65	414T2052-1		...BRACKET-PIVOT	Q,R,A K,AM	1
-65A	414T2052-7		...BRACKET-PIVOT	S,T,A L	1
70	414T2351-13		...BRACKET- (USED ON ITEM 45)	Q,R,A K,AM	1
-70A	414T2351-14		...BRACKET- (USED ON ITEM 50)	Q,R,A K,AM	1
-70B	414T2351-15		...BRACKET- (USED ON ITEM 45A)	S,T,A L	1
-70C	414T2351-16		...BRACKET- (USED ON ITEM 50A)	S,T,A L	1

25-25-04

 ILLUSTRATED PARTS LIST
 01.1 Page 1062
 Jul 01/03

FIG. & ITEM	PART NO.	AIRLINE PART NUMBER	NOMENCLATURE 1234567	EFF CODE	QTY PER ASSY
03-75	414T2050-3		..PAN ASSY-BACK	Q,R,A K,AM	1
-75A	414T2050-30		..PAN ASSY-BACK	S,T,A L	1
80	BACR15FR4E5		...RIVET	Q-T,A K-AM	2
85	414T2053-1		...FOLLOWER-CAM	Q-T,A K-AM	1
90	414T2053-2		...FOLLOWER-CAM	Q-T,A K-AM	1
95	BACR15BA6AD		...RIVET- (SIZE DETERMINE ON INST)	Q-T,A K-AM	4
100	BACR15BB4AD		...RIVET- (SIZE DETERMINE ON INST)	Q-T,A K-AM	11
105	BACR15FR4E2		...RIVET	Q-T,A K-AM	6
110	BACR15BA5AD		...RIVET- (SIZE DETERMINE ON INST)	Q-T,A K-AM	4
115	414T2051-1		...FACE SHEET-BACK	Q-T,A K-AM	1
120	414T2051-5		...CLIP	Q-T,A K-AM	1
125	414T2051-6		...CLIP	Q-T,A K-AM	1
130	414T2051-4		...STOP	Q-T,A K-AM	2
135	414T2051-3		...FACE SHEET-FRONT	Q-T,A K-AM	1
140	414T2051-7		...EXTENSION	Q-T,A K-AM	1
145	414T2051-8		...EXTENSION	Q-T,A K-AM	1
150	414T2054-1		...BEAM	Q-T,A K-AM	1

25-25-04

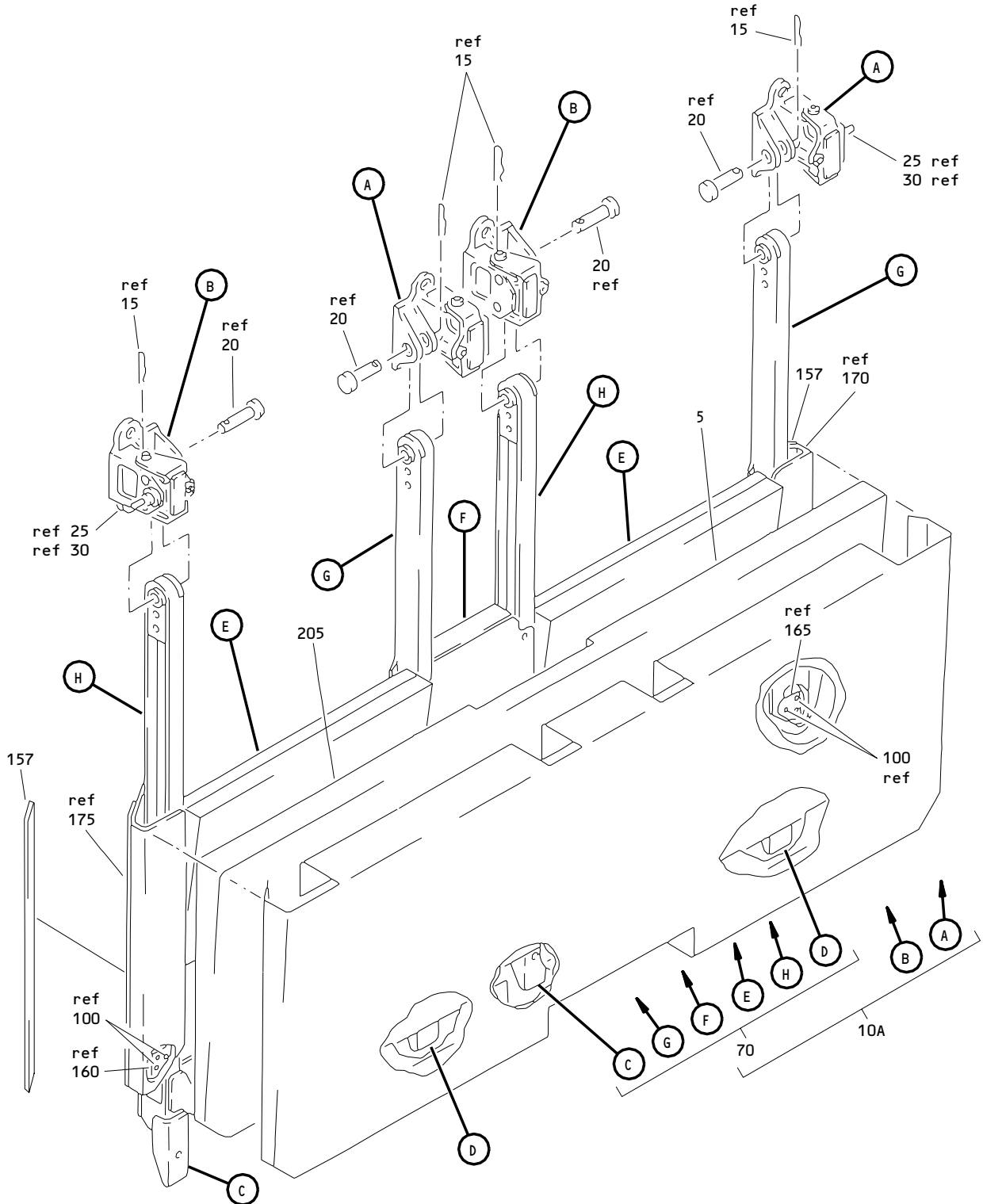
ILLUSTRATED PARTS LIST
01.1 Page 1063
Jul 01/03

FIG. & ITEM	PART NO.	AIRLINE PART NUMBER	NOMENCLATURE 1234567	EFF CODE	QTY PER ASSY
03-155	414T2054-2		...BEAM	Q-T,A K-AM	1
160	414T2055-3		...LUG	Q-T,A K-AM	2
165	414T2055-7		...BRACKET-SPRING	Q-T,A K-AM	1
170	414T2055-8		...BRACKET-SPRING	Q-T,A K-AM	1
175	414T2055-5		...SLEEVE-CAM FOLLOWER	Q-T,A K-AM	2
R 180	414T2251-143		.FOAM	Q,S	1
R -180A	414T2251-146		.FOAM	AL	1
R -180B	414T2251-61		.FOAM	AM	1
R 185	414T2050-25		.FOAM ASSY	R	1
R -185A	414T2050-31		.FOAM ASSY	T,AK	1
R 190	414T2251-143		..FOAM	R,T,A K	1

- Item Not Illustrated

25-25-04

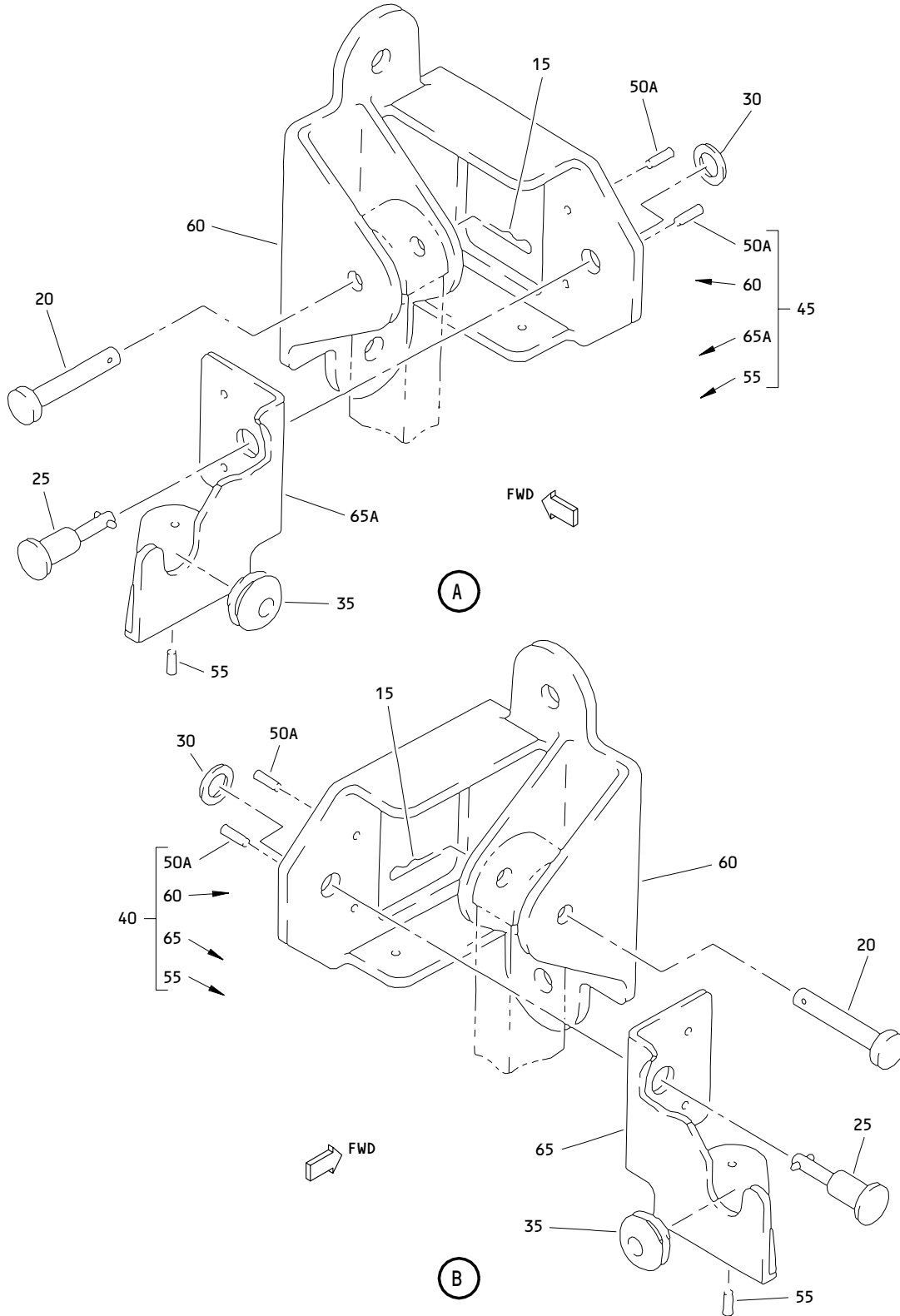
 ILLUSTRATED PARTS LIST
 01.1 Page 1064
 Jul 01/03



Lower Seat Back Assembly
 Figure 4 (Sheet 1)

25-25-04

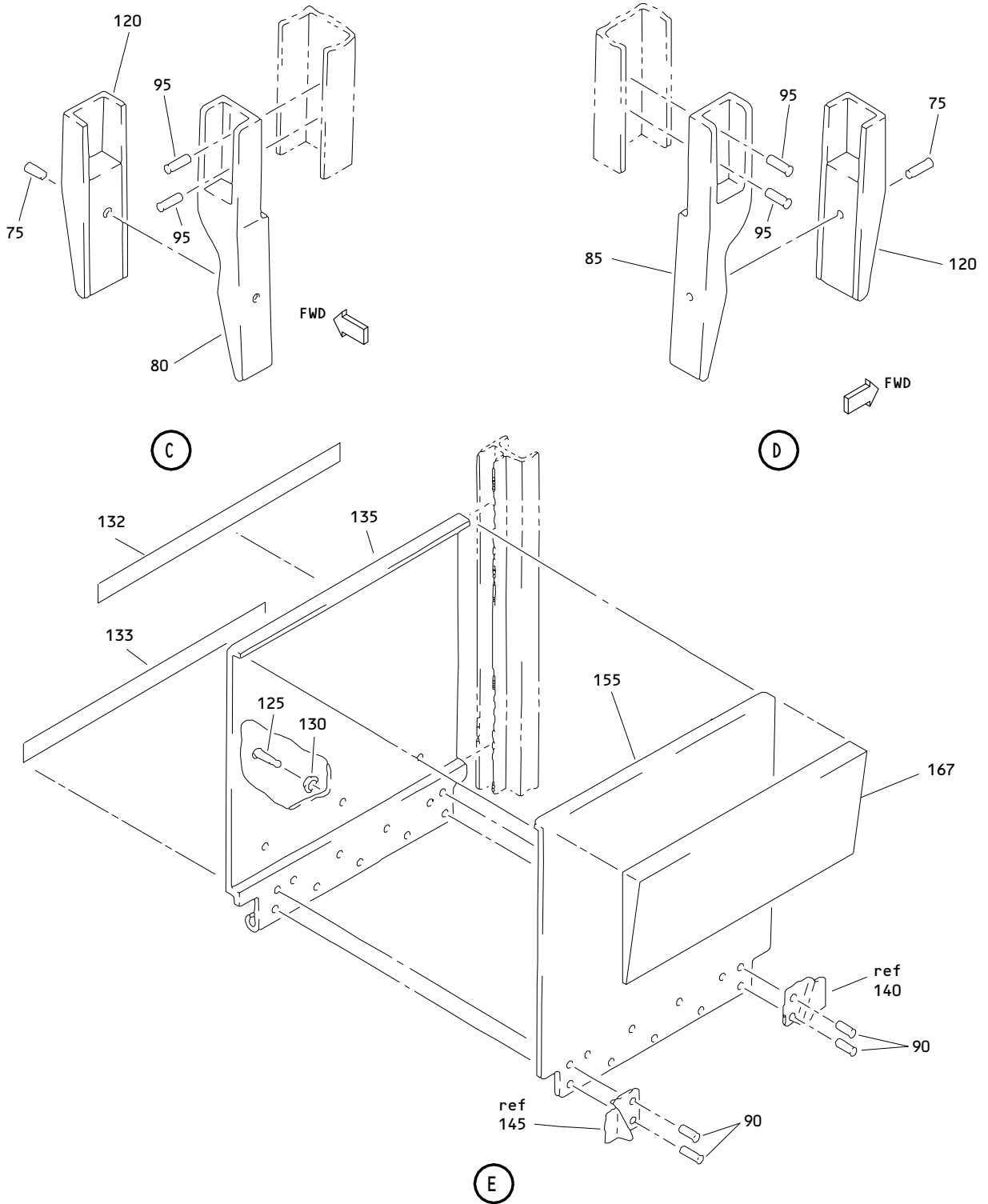
ILLUSTRATED PARTS LIST
 01.1 Page 1065
 Jul 01/03



Lower Seat Back Assembly
 Figure 4 (Sheet 2)

25-25-04

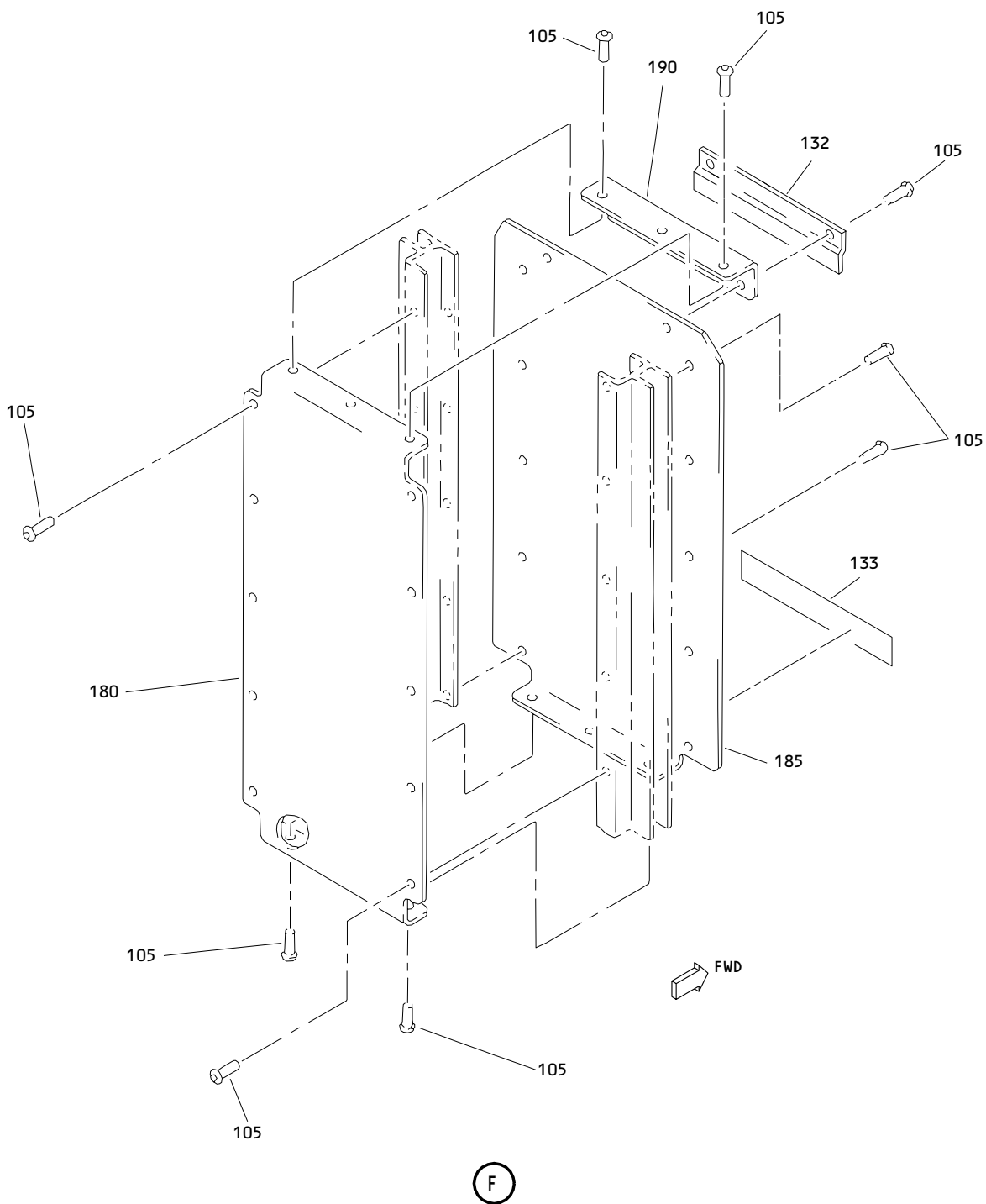
ILLUSTRATED PARTS LIST
 01.1 Page 1066
 Jul 01/03



Lower Seat Back Assembly
 Figure 4 (Sheet 3)

25-25-04

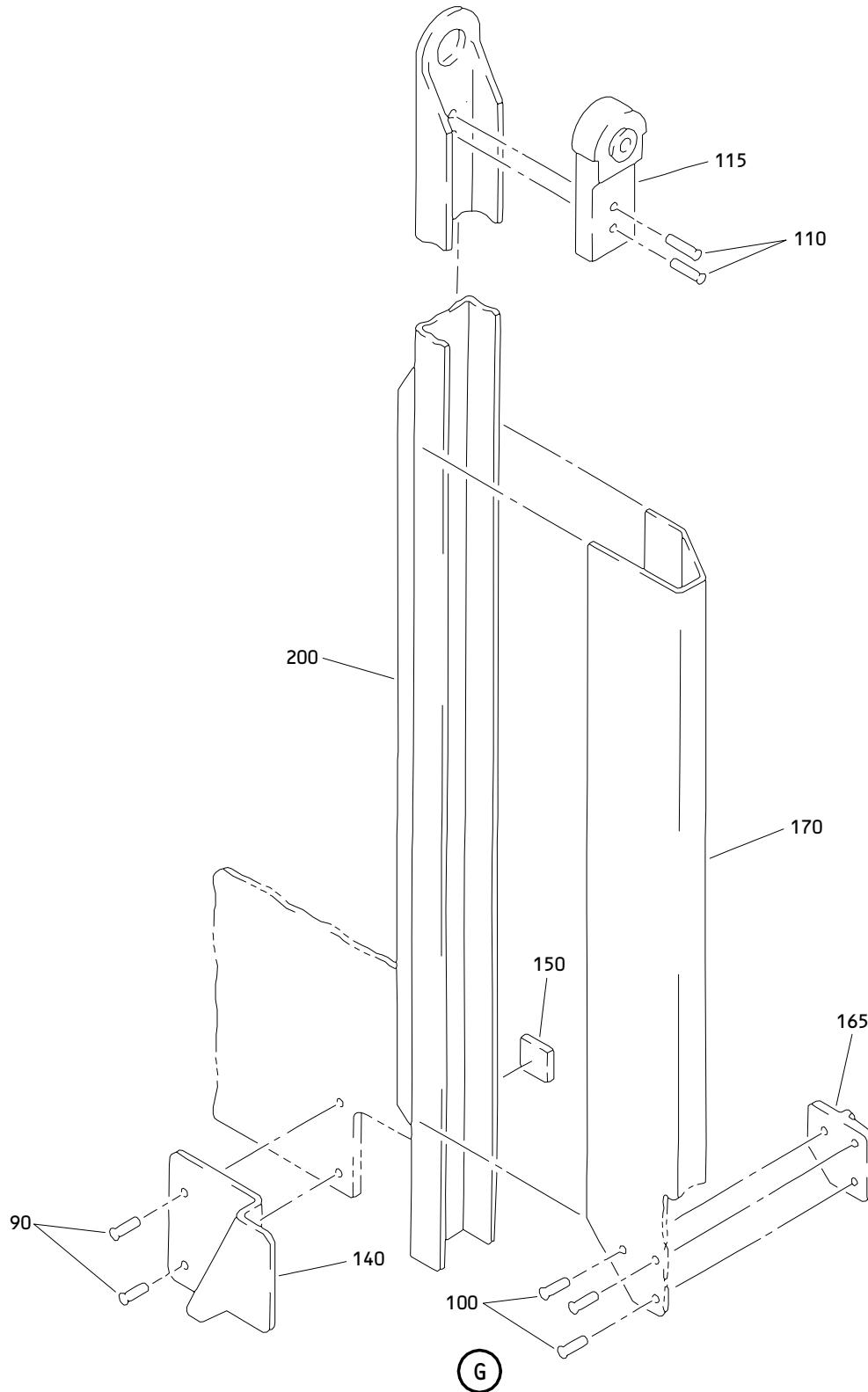
ILLUSTRATED PARTS LIST
 01.1 Page 1067
 Jul 01/03



Lower Seat Back Assembly
 Figure 4 (Sheet 4)

25-25-04

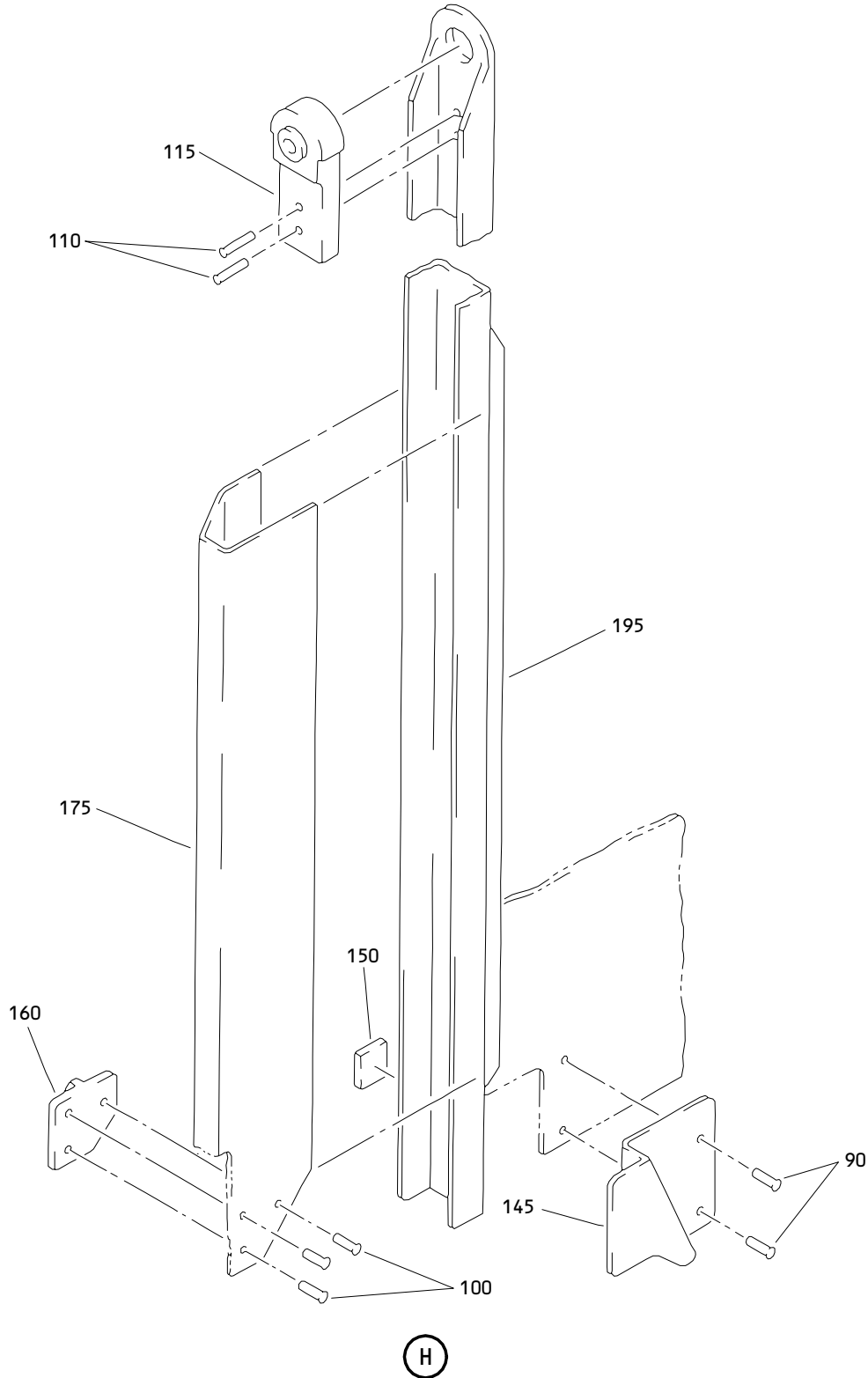
ILLUSTRATED PARTS LIST
 01.1 Page 1068
 Jul 01/03



Lower Seat Back Assembly
Figure 4 (Sheet 5)

25-25-04

ILLUSTRATED PARTS LIST
01.1 Page 1069
Jul 01/03



Lower Seat Back Assembly
Figure 4 (Sheet 6)

25-25-04

ILLUSTRATED PARTS LIST
01.1 Page 1070
Jul 01/03

FIG. & ITEM	PART NO.	AIRLINE PART NUMBER	NOMENCLATURE 1234567	EFF CODE	QTY PER ASSY
04- -1	414T2030-10SP		SEAT BACK ASSY-LWR, ATTENDANT	U	RF
-1A	414T2030-4SP		SEAT BACK ASSY-LWR, ATTENDANT	V	RF
-1B	414T2030-2SP		SEAT BACK ASSY-LWR, ATTENDANT	W	RF
-1C	414T2030-9SP		SEAT BACK ASSY-LWR, ATTENDANT	X	RF
-1D	414T2030-12SP		SEAT BACK ASSY-LWR, ATTENDANT	AE	RF
-1E	414T2030-13SP		SEAT BACK ASSY-LWR, ATTENDANT	AF	RF
-1F	414T2030-15SP		SEAT BACK ASSY-LWR, ATTENDANT	AG	RF
R -1G	414T2030-16SP		SEAT BASE ASSY-LWR, ATTENDANT	AN	RF
5	414T2044-2SP		.COVER ASSY	U-X,A E,AF, AN	1
-5A	414T2044-24SP		.COVER ASSY	AG	1
10	414T2030-5		DELETED		
10A	414T2030-11		.SEAT BACK ASSY	U,AF, AG	1
-10B	414T2030-3		.SEAT BACK ASSY	W	1
-10C	414T2030-5		.SEAT BACK ASSY	V,X,A E,AN	1
15	AN415-5		..PIN-HITCH	U-X,A E-AG, AN	4
20	MS20392-3C27		..PIN	U-X,A E-AG, AN	4

25-25-04

FIG. & ITEM	PART NO.	AIRLINE PART NUMBER	NOMENCLATURE 1234567	EFF CODE	QTY PER ASSY
04-25	27S3-5		..STUD ASSY- (V71286) (SPEC BACS21Y5FR)	U-X,A E-AG, AN	2
30	2600LW		..WASHER- (V71286) (SPEC BACW10X4) (OPT 1127700 (V60119))	U-X,A E-AG, AN	2
35	BACG2AF4B2		..GROMMET- (OPT ITEM 35A)	V-X,A E,AN	4
-35A	3-062		..GROMMET- (V77969) (SPEC BACG20C10) (OPT GB220 (V98388)) (OPT ITEM 35)	V-X,A E,AN	4
-35B	BACG20210		DELETED		
-35C	BACG20210		DELETED		
R -35D	BACG2AF4B2		..GROMMET- (OPT ITEM 35E)	U,AF, AG	4
R -35E	3-062		..GROMMET- (V77969) (SPEC BACG20C210) (OPT ITEM 035D)	U,AF, AG	4
40	414T2052-5		..BRACKET ASSY-PIVOT	V-X,A E,AN	2
-40A	414T2052-8		..BRACKET ASSY-PIVOT	U,AF, AG	2
45	414T2052-6		..BRACKET ASSY-PIVOT	V-X,A E,AN	2
-45A	414T2052-9		..BRACKET ASSY-PIVOT	U,AF, AG	2
50	BACR15BA5D		DELETED		
R 50A	BACR15BA5AD		...RIVET- (SIZE DETERMINE ON INST)	V-X,A E,AN	2
-52	BACR15BA5D		DELETED		
R -52A	BACR15BA5AD		...RIVET- (SIZE DETERMINE ON INST)	U,AF, AG	2
55	BACR15BB5AD		...RIVET- (SIZE DETERMINE ON INST)	V-X,A E,AN	1

25-25-04

 ILLUSTRATED PARTS LIST
 01.1 Page 1072
 Jul 01/03

FIG. & ITEM	PART NO.	AIRLINE PART NUMBER	NOMENCLATURE 1234567	EFF CODE	QTY PER ASSY
04-57	BACR15BB5AD		...RIVET- (SIZE DETERMINE ON INST)	U,AF, AG	1
60	414T2052-1		...BRACKET-PIVOT	V-X,A E,AN	1
-60A	414T2052-7		...BRACKET-PIVOT	U,AF, AG	1
65	414T2351-13		...BRACKET	V-X,A E,AN	1
-65A	414T2351-14		...BRACKET	V-X,A E,AN	1
-65B	414T2351-15		...BRACKET	U,AF, AG	1
-65C	414T2351-16		...BRACKET	U,AF, AG	1
70	414T2028-5		..PAN ASSY-BACK	V,X,A E,AN	1
-70A	414T2028-1		..PAN ASSY-BACK	W	1
-70B	414T2028-6		..PAN ASSY-BACK	U,AF, AG	1
75	BACR15FR4E5		...RIVET	U-X,A E-AG, AN	4
80	414T2053-1		...FOLLOWER-CAM	U-X,A E-AG, AN	2
85	414T2053-2		...FOLLOWER-CAM	U-X,A E-AG, AN	2
90	BACR15BB4AD		...RIVET- (SIZE DETERMINE ON INST)	U-X,A E-AG, AN	22
95	BACR15BA6AD		...RIVET- (SIZE DETERMINE ON INST)	U-X,A E-AG, AN	8
100	BACR15FR4E		...RIVET- (SIZE DETERMINE ON INST)	U-X,A E-AG, AN	6
105	NAS1738E4-2		...RIVET	U-X,A E-AG, AN	18

25-25-04

ILLUSTRATED PARTS LIST
01.1 Page 1073
Jul 01/03

FIG. & ITEM	PART NO.	AIRLINE PART NUMBER	NOMENCLATURE 1234567	EFF CODE	QTY PER ASSY
04-110	BACR15BA5AD		...RIVET- (SIZE DETERMINE ON INST)	U-X,A E-AG, AN	8
115	414T2055-3		...LUG	U-X,A E-AG, AN	4
120	414T2055-5		...SLEEVE-CAM FOLLOWER	U-X,A E-AG, AN	4
125	BACR15DA4-2		...RIVET- (OPT ITEM 125A)	U-X,A E-AG, AN	6
-125A	BSP4-2		...RIVET- (V11815) (OPT ITEM 125)	U-X,A E-AG, AN	6
130	MS27980-7C		...FASTENER	U-X,A E-AG, AN	6
R 132	414T2028-3		...VELCRO-HOOK	U,X,A E-AG, AN	3
R 133	414T2028-4		...VELCRO-HOOK	U,X,A E-AG, AN	3
135	414T2051-1		...FACE SHEET-BACK	U-X,A E-AG, AN	2
140	414T2051-5		...CLIP	U-X,A E-AG, AN	2
145	414T2051-6		...CLIP	U-X,A E-AG, AN	2

25-25-04

 ILLUSTRATED PARTS LIST
 01.1 Page 1074
 Jul 01/03

FIG. & ITEM	PART NO.	AIRLINE PART NUMBER	NOMENCLATURE 1234567	EFF CODE	QTY PER ASSY
04-150	414T2051-4		...STOP	U-X,A E-AG, AN	4
155	414T2051-3		...FACE SHEET-FRONT	U-X,A E-AG, AN	2
R 157	414T2028-2		...VELCRO-HOOK	U,X,A E-AG, AN	2
160	414T2055-7		...BRACKET-SPRING	U-X,A E-AG, AN	1
165	414T2055-8		...BRACKET-SPRING	U-X,A E-AG, AN	1
167	414T2350-32		...BRACKET-FOAM SUPPORT	V,X,A E,AN	2
-167A	414T2350-41		...BRACKET-FOAM SUPPORT	U,AF, AG	2
R -167B	414T2251-62		...FOAM-RIGID	W	2
170	414T2051-7		...EXTENSION	U-X,A E-AG, AN	1
175	414T2051-8		...EXTENSION	U-X,A E-AG, AN	1
180	414T2023-7		...PLATE-JOINER	U-X,A E-AG, AN	1

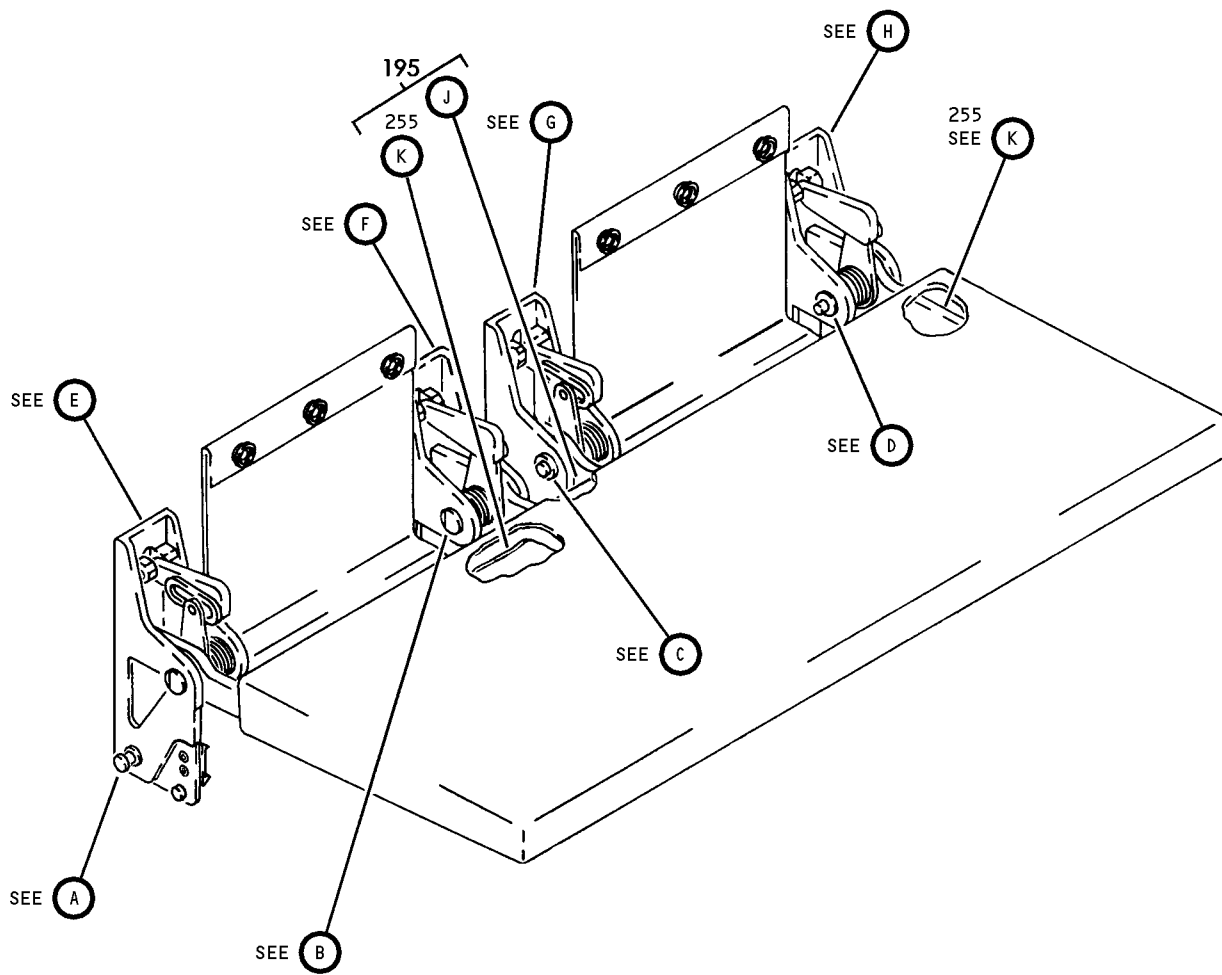
25-25-04

FIG. & ITEM	PART NO.	AIRLINE PART NUMBER	NOMENCLATURE 1234567	EFF CODE	QTY PER ASSY
04-185	414T2023-3		...PLATE-JOINER	U-X,A E-AG, AN	1
190	414T2023-2		...PLATE-JOINER	U-X,A E-AG, AN	1
195	414T2054-1		...BEAM	U-X,A E-AG, AN	2
200	414T2054-2		...BEAM	U-X,A E-AG, AN	2
205	414T2045-15		.CUSHION	U,V,X ,AE-A G	1
R -205A	414T2045-4		.CUSHION	W	1
R -205B	414T2030-17		.FOAM ASSY	AN	1
-210	414T2030-8		.FOAM ASSY	X	1
-210A	414T2030-14		.FOAM ASSY	AE,AF	1
R -210B	414T2045-18		.CUSHION	AG	1
-215	414T2045-15		DELETED		

- Item Not Illustrated

25-25-04

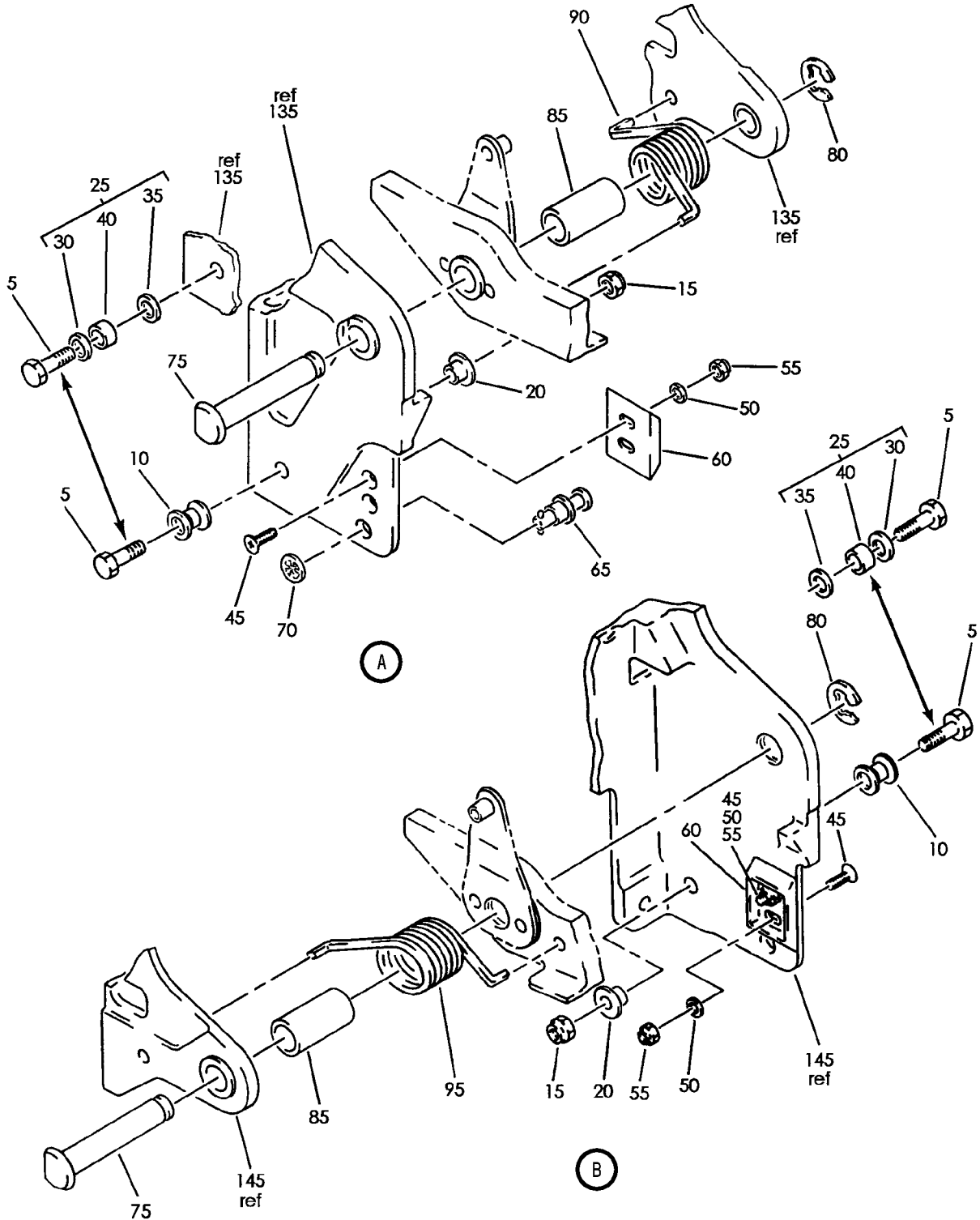
 ILLUSTRATED PARTS LIST
 01.1 Page 1076
 Jul 01/03



Seat Base Assembly
Figure 5 (Sheet 1)

25-25-04

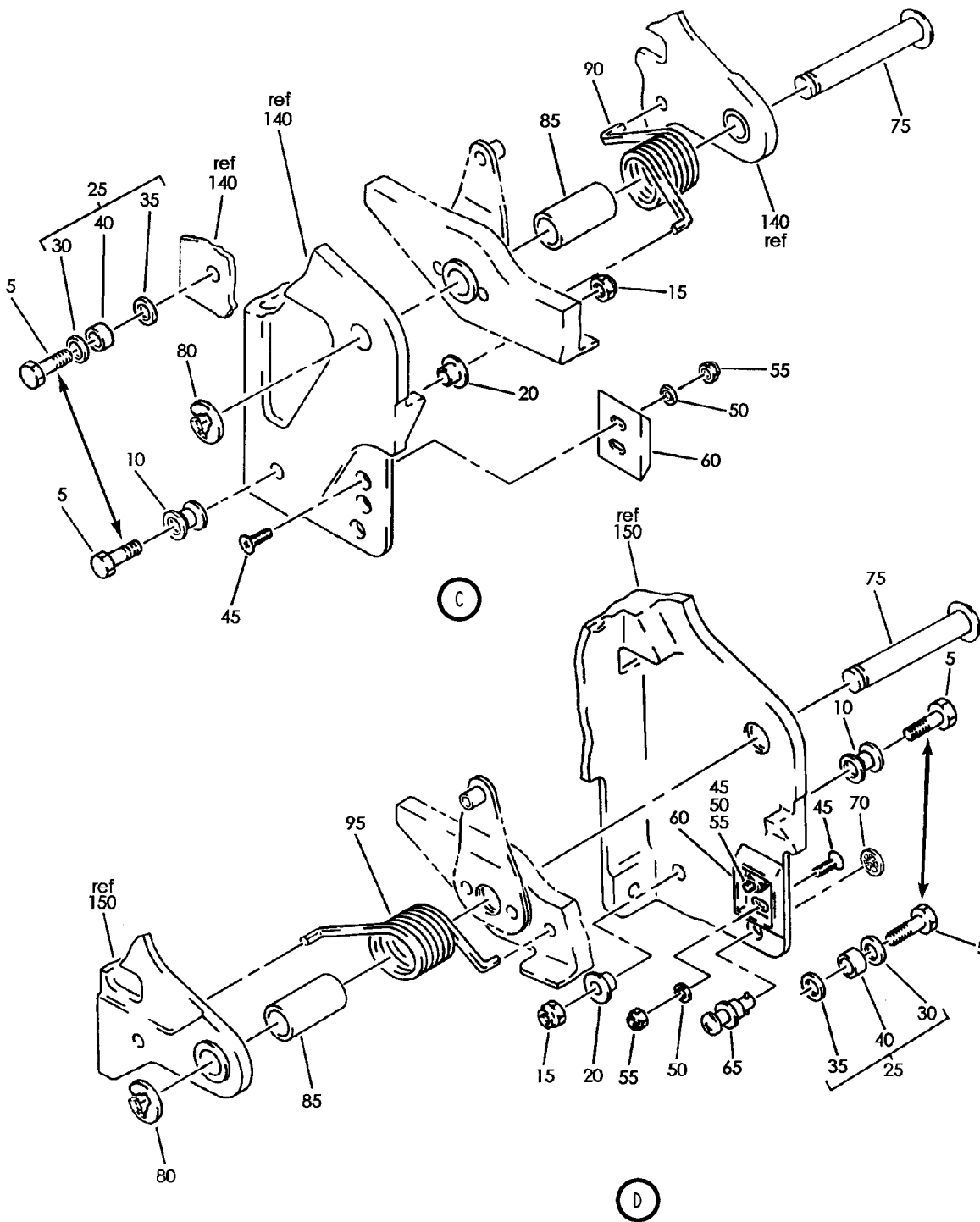
ILLUSTRATED PARTS LIST
01.1 Page 1078
Jul 01/03



Seat Base Assembly
 Figure 5 (Sheet 2)

25-25-04

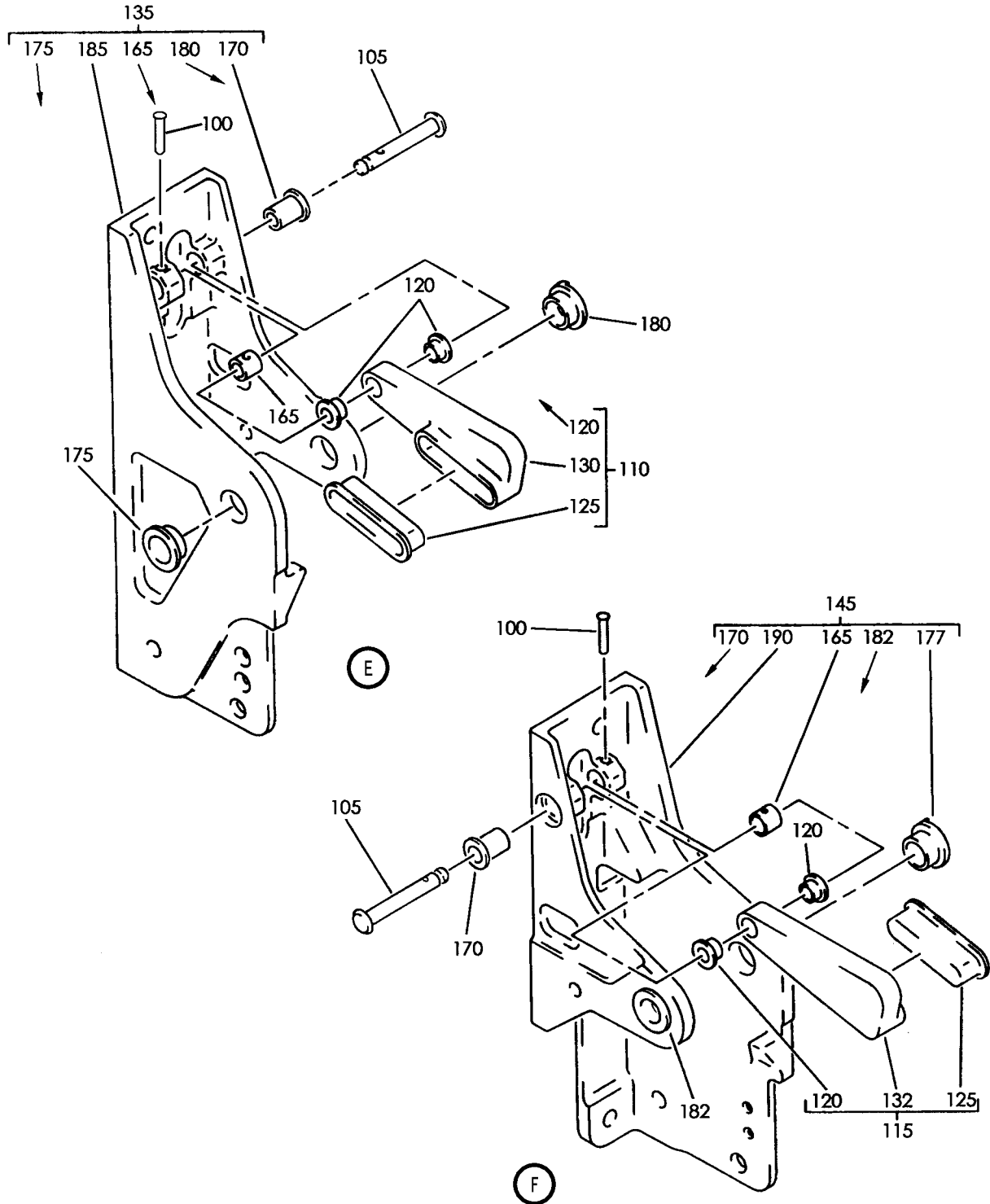
ILLUSTRATED PARTS LIST
 01.1 Page 1079
 Jul 01/03



Seat Base Assembly
 Figure 5 (Sheet 3)

25-25-04

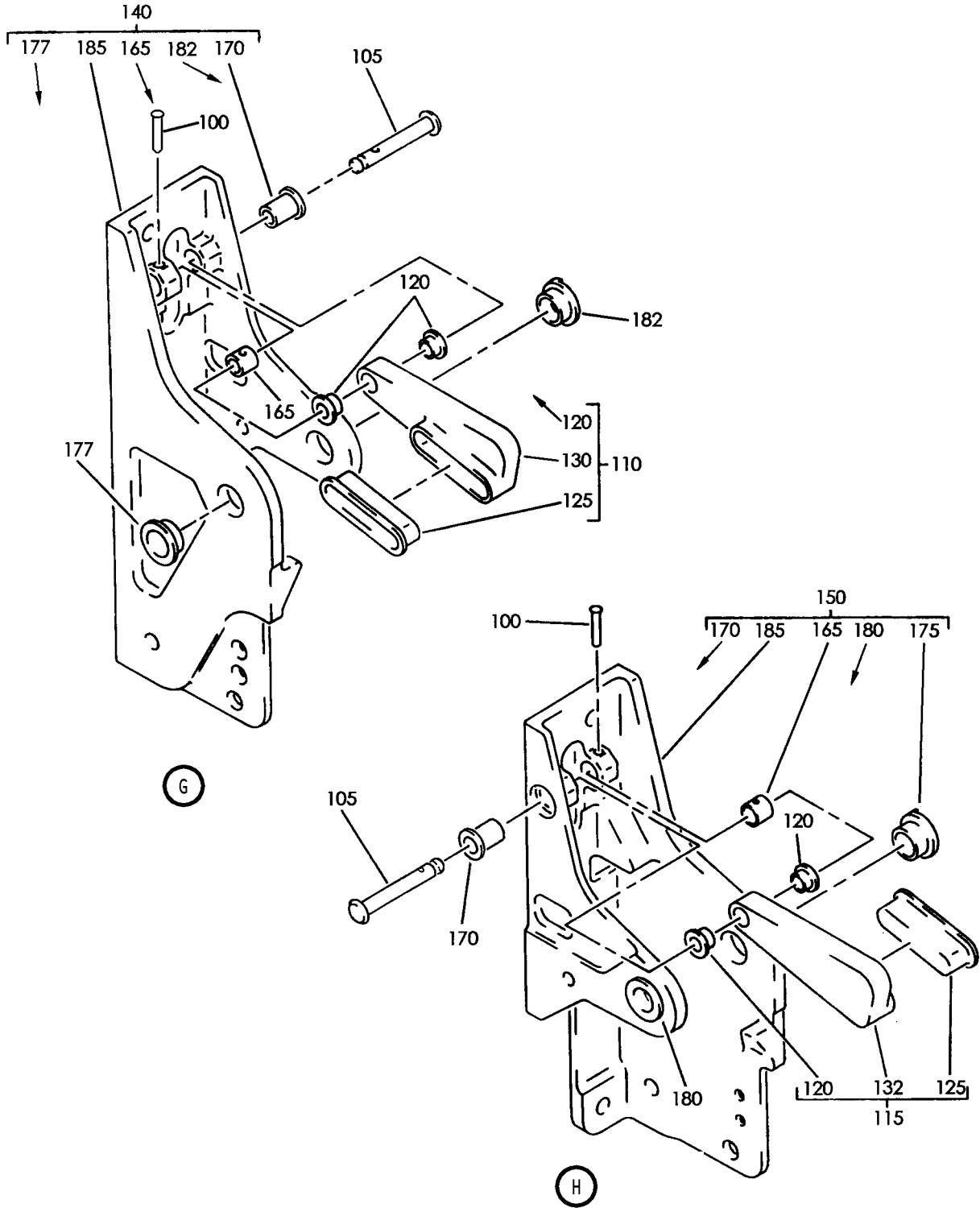
ILLUSTRATED PARTS LIST
 01.1 Page 1080
 Jul 01/03



Seat Base Assembly
 Figure 5 (Sheet 4)

25-25-04

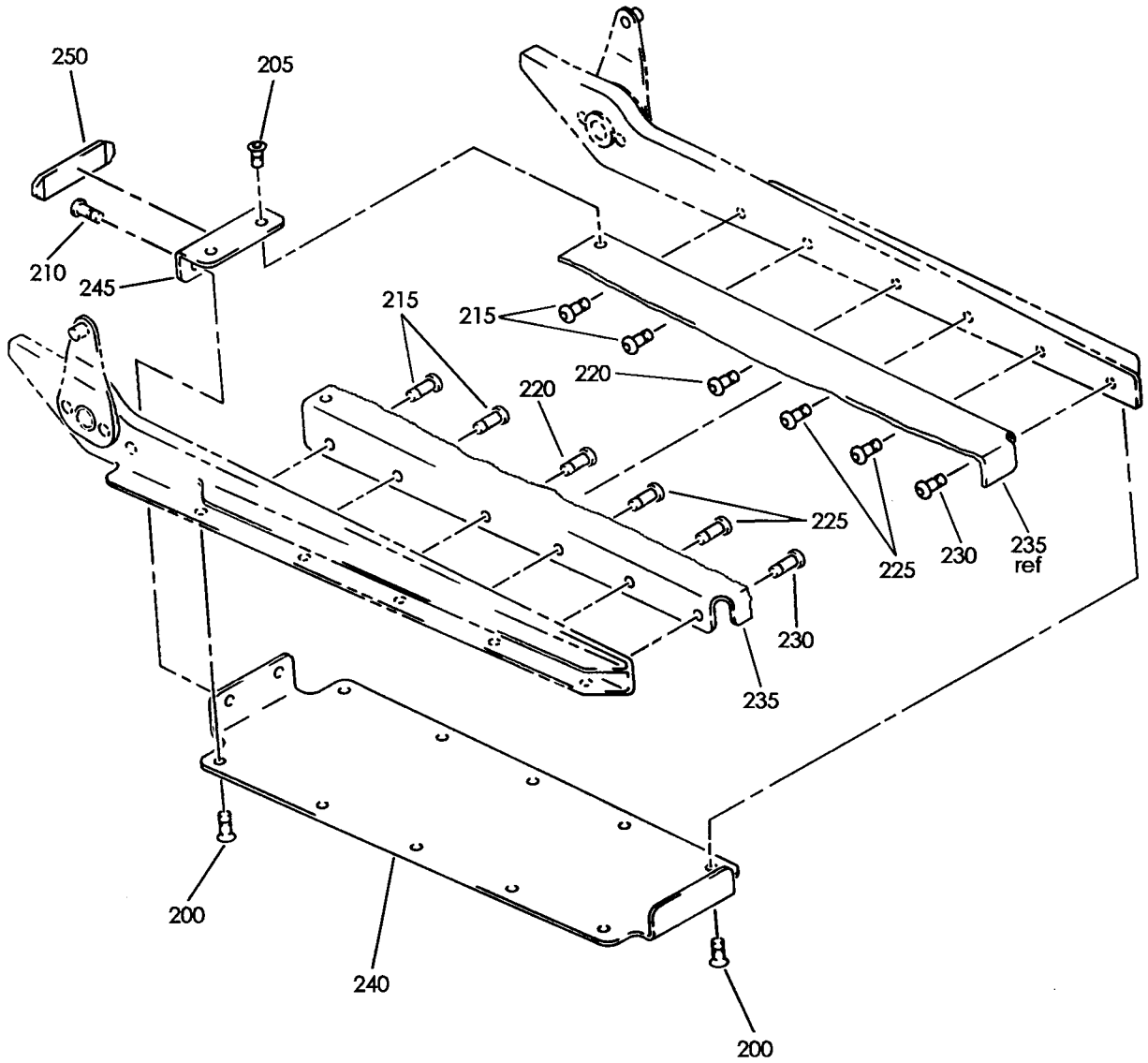
ILLUSTRATED PARTS LIST
 01.1 Page 1080A
 Jul 01/03



Seat Base Assembly
 Figure 5 (Sheet 5)

25-25-04

ILLUSTRATED PARTS LIST
 01.1 Page 1080B
 Jul 01/03

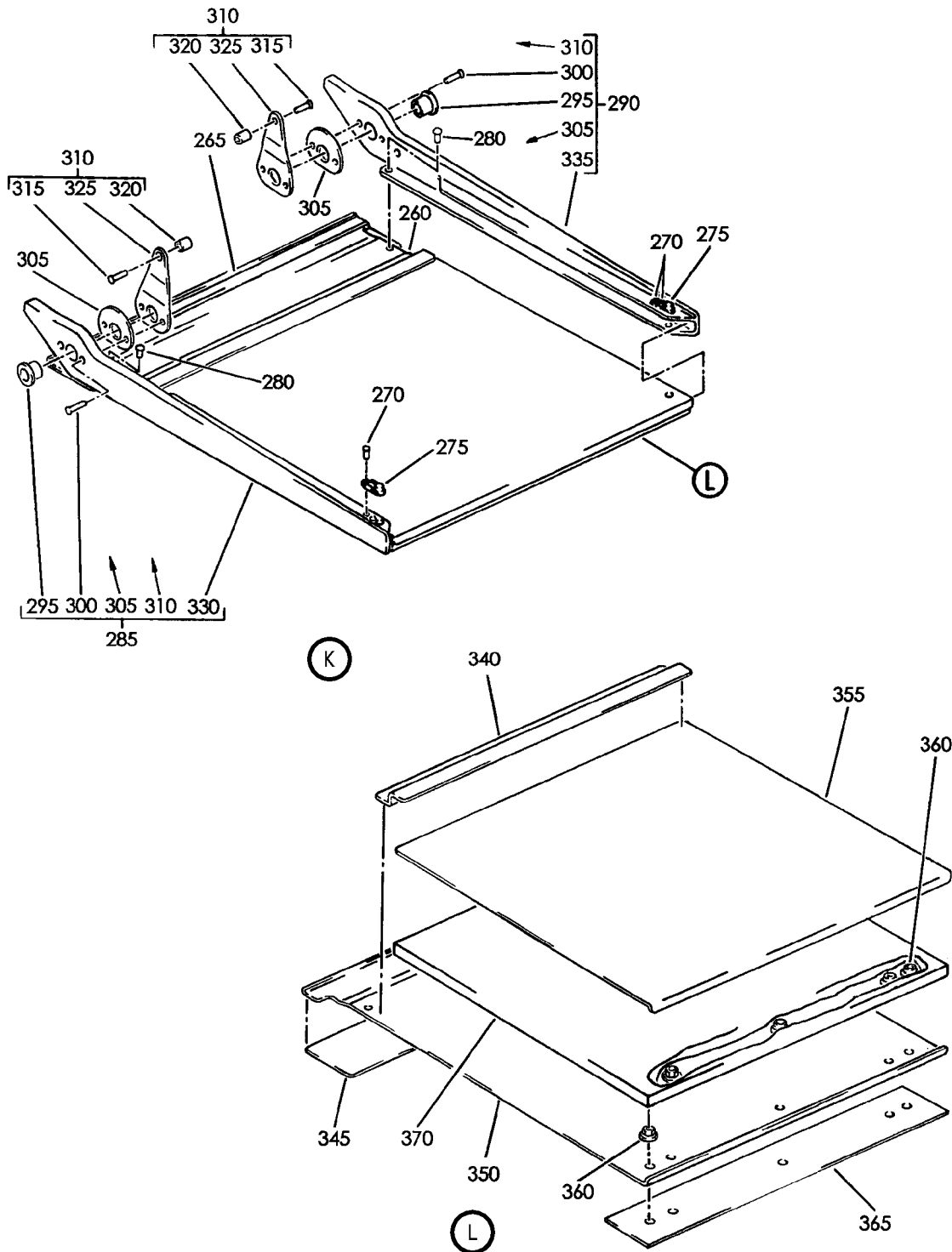


J

Seat Base Assembly
Figure 5 (Sheet 6)

25-25-04

ILLUSTRATED PARTS LIST
01.1 Page 1080C
Jul 01/03



Seat Base Assembly
 Figure 5 (Sheet 7)

25-25-04

ILLUSTRATED PARTS LIST
 01.1 Page 1080D
 Jul 01/03

FIG. & ITEM	PART NO.	AIRLINE PART NUMBER	NOMENCLATURE 1234567	EFF CODE	QTY PER ASSY
R 05- -1A	414T2025-20		SEAT BASE ASSY	K,N,P ,AH,A J	1
R 5	BACB30NF4-9		.BOLT	K,N,P ,AH,A J	4
R 10	0726802-3		.SPOOL- (V00679) (OPT ITEM 25)	K,N,P ,AH,A J	4
R 15	MS21042L4		.NUT	K,N,P ,AH,A J	4
R 20	BACS18C10-4		.BUSHING-FLANGED	K,N,P ,AH,A J	4
R 25	414T2025-25		.SUB KIT ASSY- (OPT ITEM 10)	K,N,P ,AH,A J	4
R 30	AN960-416		..WASHER	K,N,P ,AH,A J	1
R 35	BACW10P186C		..WASHER	K,N,P ,AH,A J	1
R 40	BACB28Y4C022		..BUSHING	K,N,P ,AH,A J	1
R 45	NAS514P832-6		.SCREW	K,N,P ,AH,A J	8

25-25-04

FIG. & ITEM	PART NO.	AIRLINE PART NUMBER	NOMENCLATURE 1234567	EFF CODE	QTY PER ASSY
R 05-50	AN960PD8L		.WASHER	K,N,P AH,A J	8
R 55	H10-08BAC		.NUT- (V15653) (SPEC BACN10JC08) (OPT NS202101-82 (V80539)) (OPT RMLH9075-82W (V72962)) (OPT VN303A82 (V92215)) (OPT 96-82 (V80539)) (OPT BRH10A08 (V52828)) (OPT T6S832J (V11815))	K,N,P AH,A J	8
R 60	414T2101-21		.STRIKE PLATE	K,N,P AH,A J	4
R 65	27S3-5		.STUD ASSY- (V71286) (SPEC BACS21Y5FR)	K,N,P AH,A J	2
R 70	2600LW		.WASHER- (V71286) (SPEC BACW10X4) (OPT 1127700 (V60119))	K,N,P AH,A J	2
R 75	414T2022-1		.PIN-PIVOT	K,N,P AH,A J	4
R 80	MS3217-1050		.CLIP	K,N,P AH,A J	4
R 85	414T2101-14		.SLEEVE-SPRING	K,N,P AH,A J	4
R 90	414T2105-5		.SPRING-RETURN	K,N,P AH,A J	2

25-25-04

 ILLUSTRATED PARTS LIST
 01.1 Page 1080F
 Jul 01/03

FIG. & ITEM	PART NO.	AIRLINE PART NUMBER	NOMENCLATURE 1234567	EFF CODE	QTY PER ASSY
R 05-95	414T2105-6		.SPRING-RETURN	K,N,P ,AH,A J	2
R 100	MS16562-16		.PIN	K,N,P ,AH,A J	4
R 105	414T2101-19		.PIN	K,N,P ,AH,A J	4
R 110	414T2101-1		.CAM ASSY	K,N,P ,AH,A J	2
R 115	414T2101-2		.CAM ASSY	K,N,P ,AH,A J	2
R 120	NAS538B4P018		..BUSHING-FLANGE	K,N,P ,AH,A J	2
R 125	414T2101-15		..INSERT-CAM	K,N,P ,AH,A J	1
R 130	414T2102-1		..CAM- (USED ON ITEM 110)	K,N,P ,AH,A J	1
R 130A	414T2102-2		DELETED		
R 132	414T2102-2		..CAM- (USED ON ITEM 115)	K,N,P ,AH,A J	1
R 135	414T2107-3		.BRACKET ASSY-PIVOT	K,N,P ,AH,A J	1
R 140	414T2107-5		.BRACKET ASSY-PIVOT	K,N,P ,AH,A J	1
R 145	414T2107-6		.BRACKET ASSY-PIVOT	K,N,P ,AH,A J	1
R 150	414T2107-4		.BRACKET ASSY-PIVOT	K,N,P ,AH,A J	1

25-25-04

FIG. & ITEM	PART NO.	AIRLINE PART NUMBER	NOMENCLATURE 1234567	EFF CODE	QTY PER ASSY
R 05-165	NAS537B4P36		..BUSHING	K,N,P ,AH,A J	1
R 170	NAS538B4P50		..BUSHING	K,N,P ,AH,A J	1
R 175	414T2101-18		..BUSHING- (USED ON ITEMS 135,150)	K,N,P ,AH,A J	1
-175A	NAS538B8P022		DELETED		
R 177	NAS538B8P022		..BUSHING- (USED ON ITEMS 140,145)	K,N,P ,AH,A J	1
R 180	NAS538B8P017		..BUSHING- (USED ON ITEMS 135,150)	K,N,P ,AH,A J	1
-180A	414T2101-22		DELETED		
R 182	414T2101-22		..BUSHING- (USED ON ITEMS 140,145)	K,N,P ,AH,A J	1
R 185	414T2103-3		..BRACKET-PIVOT (USED ON ITEMS 135,140)	K,N,P ,AH,A J	1
R 190	414T2103-4		..BRACKET-PIVOT (USED ON ITEMS 145,150)	K,N,P ,AH,A J	1
R 195	414T2024-4		.SEAT ASSY-PAN	K,N,P ,AH,A J	1
200	NAS1739E5-2		DELETED		
R 200A	NAS1739E4-2		..RIVET	K,N,P ,AH,A J	10

25-25-04

 ILLUSTRATED PARTS LIST
 01.1 Page 1080H
 Jul 01/03

FIG. & ITEM	PART NO.	AIRLINE PART NUMBER	NOMENCLATURE 1234567	EFF CODE	QTY PER ASSY
R 05-205	NAS1738E4-2		..RIVET	K,N,P AH,A J	2
R 210	NAS1738E5-2		..RIVET	K,N,P AH,A J	2
R 215	NAS1738E5-7		..RIVET	K,N,P AH,A J	4
R 220	NAS1738E5-6		..RIVET	K,N,P AH,A J	2
R 225	NAS1738E5-5		..RIVET	K,N,P AH,A J	4
R 230	NAS1738E5-4		..RIVET	K,N,P AH,A J	2
R 235	414T2023-4		..PLATE-JOINER	K,N,P AH,A J	1
R 240	414T2023-5		..PLATE-JOINER	K,N,P AH,A J	1
R 245	414T2023-6		..PLATE-JOINER	K,N,P AH,A J	1
R 250	414T2024-3		..TAPE-VELCRO HOOK	K,N,P AH,A J	1
R 255	414T2106-6		..SEAT ASSY-PAN	K,N,P AH,A J	2

25-25-04

FIG. & ITEM	PART NO.	AIRLINE PART NUMBER	NOMENCLATURE 1234567	EFF CODE	QTY PER ASSY
R 05-260	414T2106-2		...TAPE-VELCRO	K,N,P AH,A J	1
R 265	414T2106-4		...TAPE-VELCRO	K,N,P AH,A J	1
R 270	AF517-3-3		...RIVET- (V53551) (SPEC BACR15DR3P3) (OPT CCR274SS3-3 (V11815)) (OPT RV570A3-3 (V98996))	K,N,P AH,A J	4
R 275	BRF100A3		...NUTPLATE- (V52828) (SPEC BACN10KB3F) (OPT NS103185-02 (V80539)) (OPT RMF9207-3 (V72962)) (OPT T8114S1032S (V11815)) (OPT VN151A1-02 (V92215)) (OPT F2000-3 (V15653))	K,N,P AH,A J	2
R 280	BACR15BB4AD		...RIVET- (SIZE DETERMINE ON INST)	K,N,P AH,A J	2
R 285	414T2101-24		...SIDE RAIL ASSY	K,N,P AH,A J	1
R 290	414T2101-25		...SIDE RAIL ASSY	K,N,P AH,A J	1
R 295	BACB28X8M050	BUSHING-FLANGE	K,N,P AH,A J	2

25-25-04

 ILLUSTRATED PARTS LIST
 01.1 Page 1080J
 Jul 01/03

FIG. & ITEM	PART NO.	AIRLINE PART NUMBER	NOMENCLATURE 1234567	EFF CODE	QTY PER ASSY
R 05-300	BACR15BA6AD	RIVET- (SIZE DETERMINE ON INST)	K,N,P ,AH,A J	2
R 305	414T2101-6	SHIM	K,N,P ,AH,A J	1
R 310	414T2101-23	ACTUATOR ASSY	K,N,P ,AH,A J	1
R 315	BACR15BB6DD	RIVET- (SIZE DETERMINE ON INST)	K,N,P ,AH,A J	1
R 320	NAS42DD4-28	SPACER	K,N,P ,AH,A J	1
R 325	414T2101-5	ACTUATOR-CAM	K,N,P ,AH,A J	1
R 330	414T2101-9	ARM-SUPPORT (USED ON ITEM 285)	K,N,P ,AH,A J	1
R 335	414T2101-10	ARM-SUPPORT (USED ON ITEM 290)	K,N,P ,AH,A J	1
R 340	414T2104-2		...BEAM-REAR	K,N,P ,AH,A J	1
R 345	414T2104-5		...DOUBLER	K,N,P ,AH,A J	1
R 350	414T2104-1		...FACE SHEET-LOWER	K,N,P ,AH,A J	1
R 355	414T2104-3		...FACE SHEET-UPPER	K,N,P ,AH,A J	1
R 360	NAS1835A3		...INSERT	K,N,P ,AH,A J	5
R 365	414T2104-6		...SHIM	K,N,P ,AH,A J	1

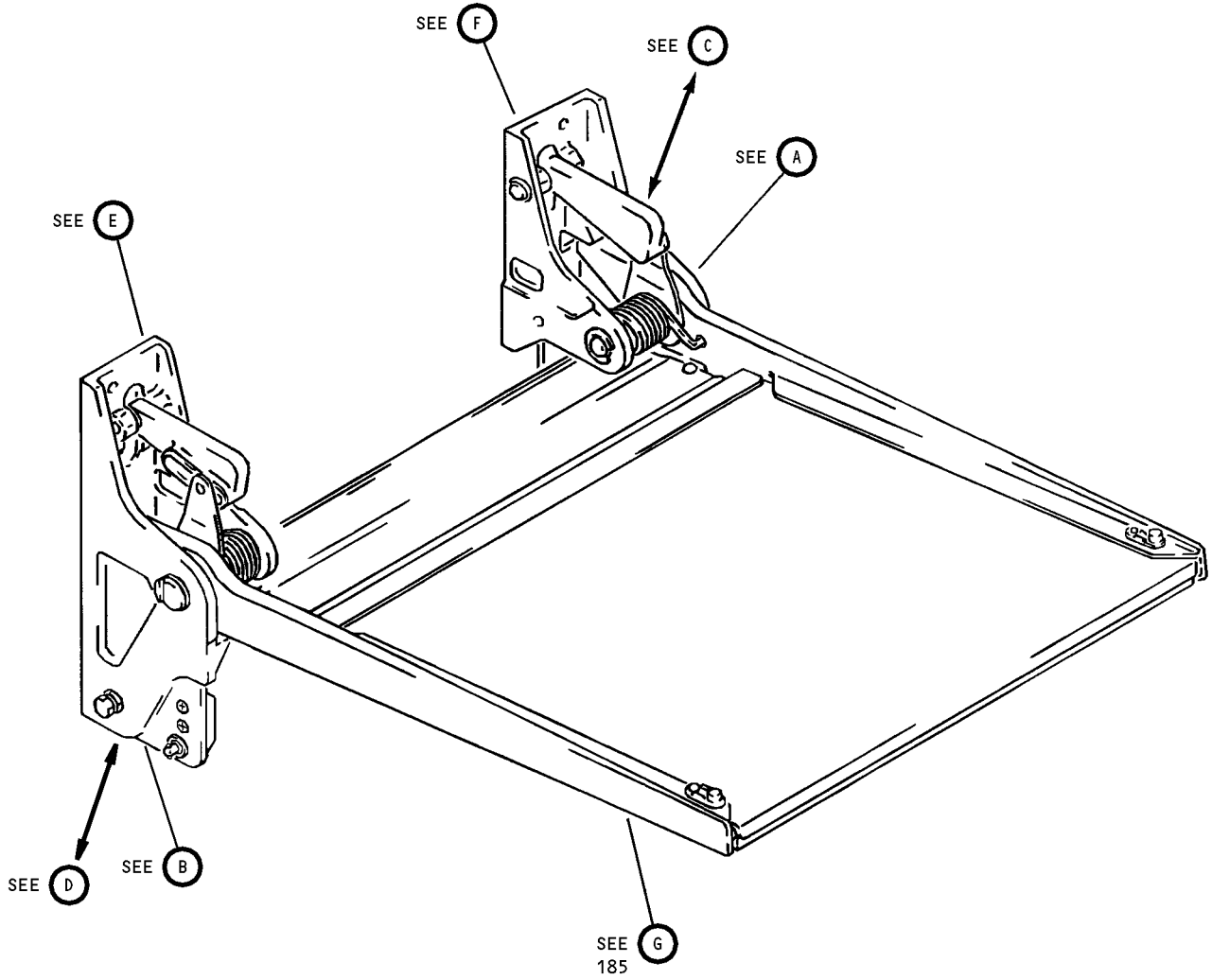
25-25-04

ILLUSTRATED PARTS LIST
01.1 Page 1080K
Jul 01/03

FIG. & ITEM	PART NO.	AIRLINE PART NUMBER	NOMENCLATURE	EFF CODE	QTY PER ASSY
R 05-370	414T2104-4		1234567 ...CORE	K,N,P AH,A J	1

- Item Not Illustrated

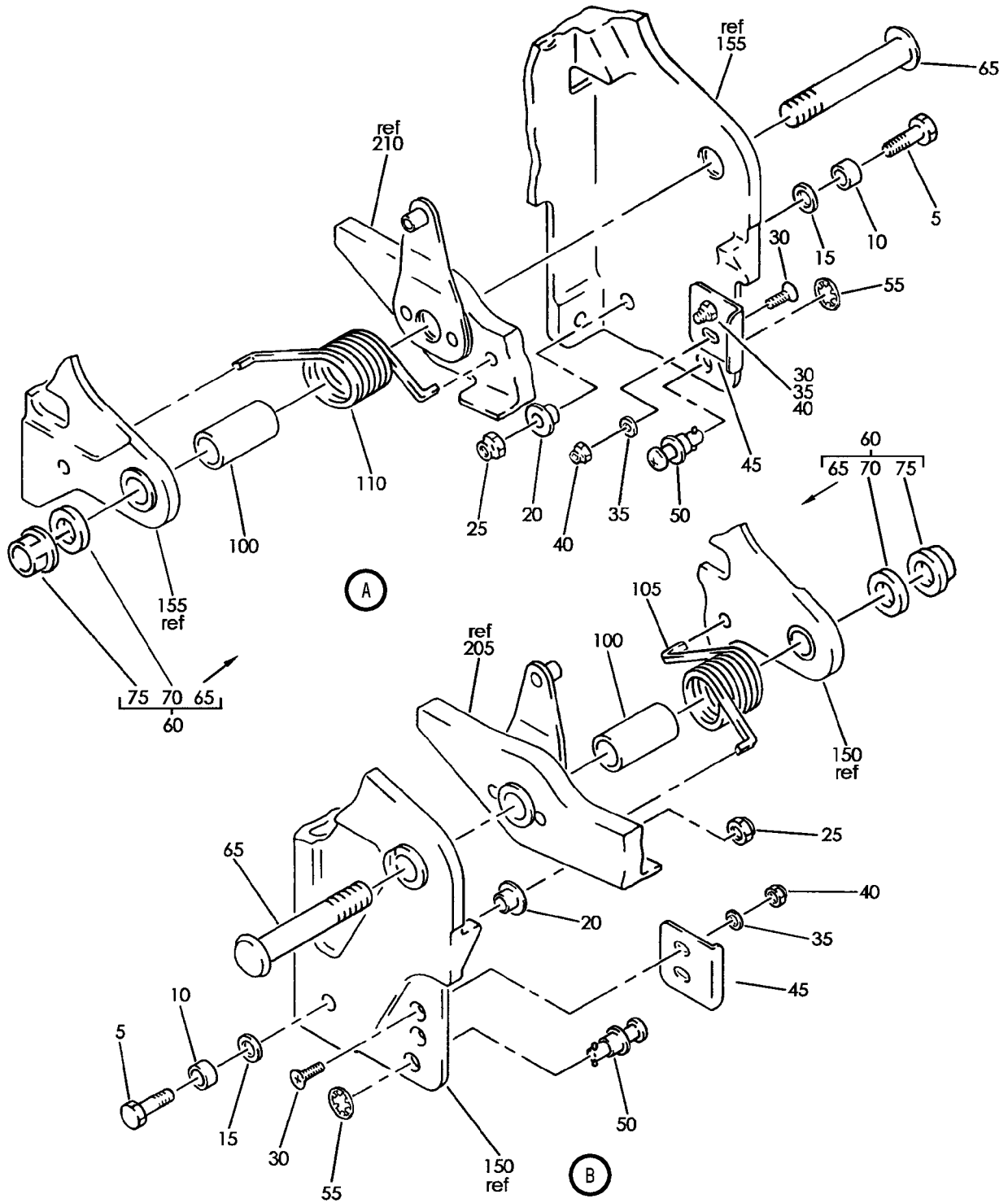
25-25-04



Seat Base Assembly
Figure 6 (Sheet 1)

25-25-04

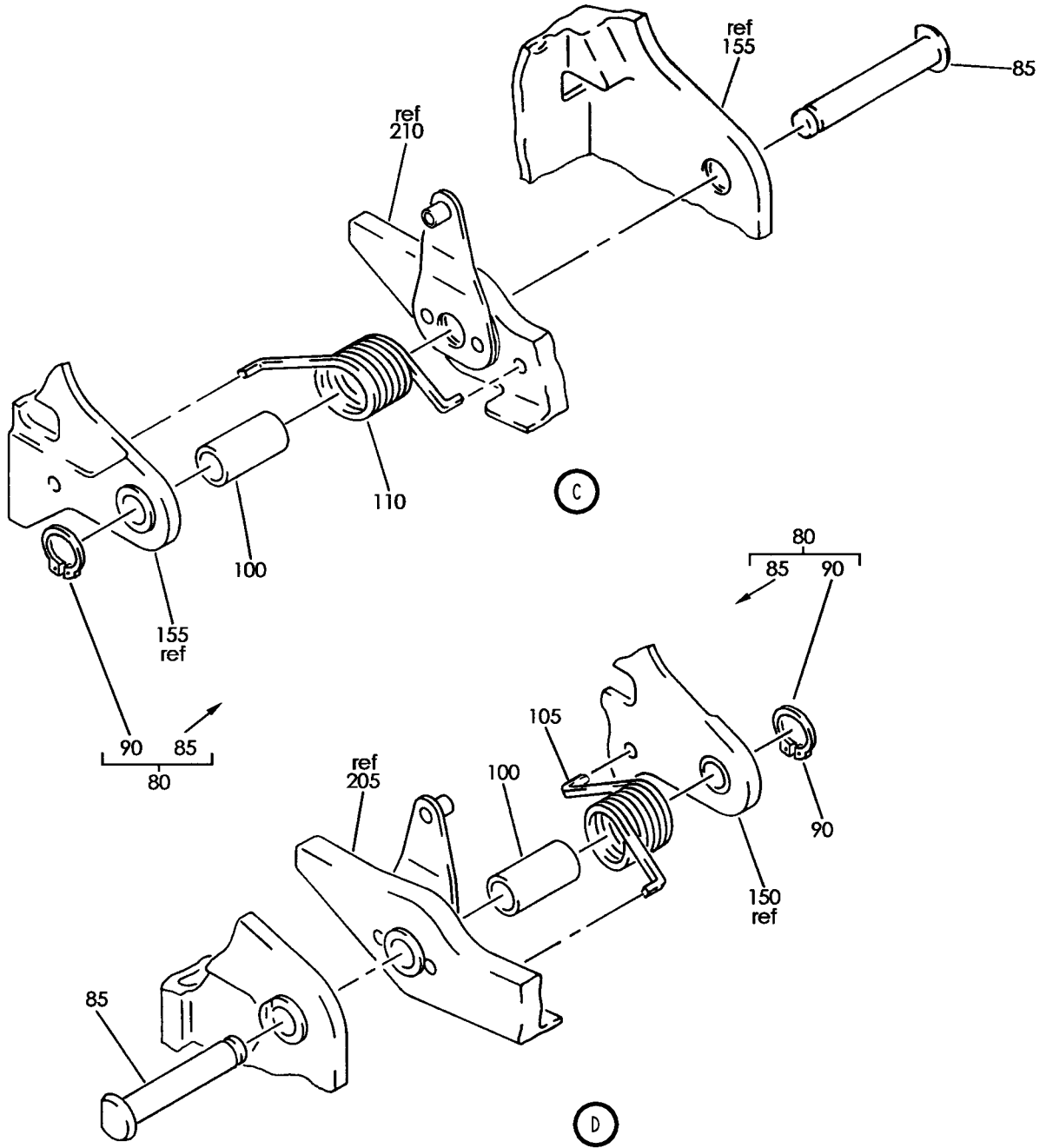
ILLUSTRATED PARTS LIST
01.1 Page 1080M
Jul 01/03



Seat Base Assembly
 Figure 6 (Sheet 2)

25-25-04

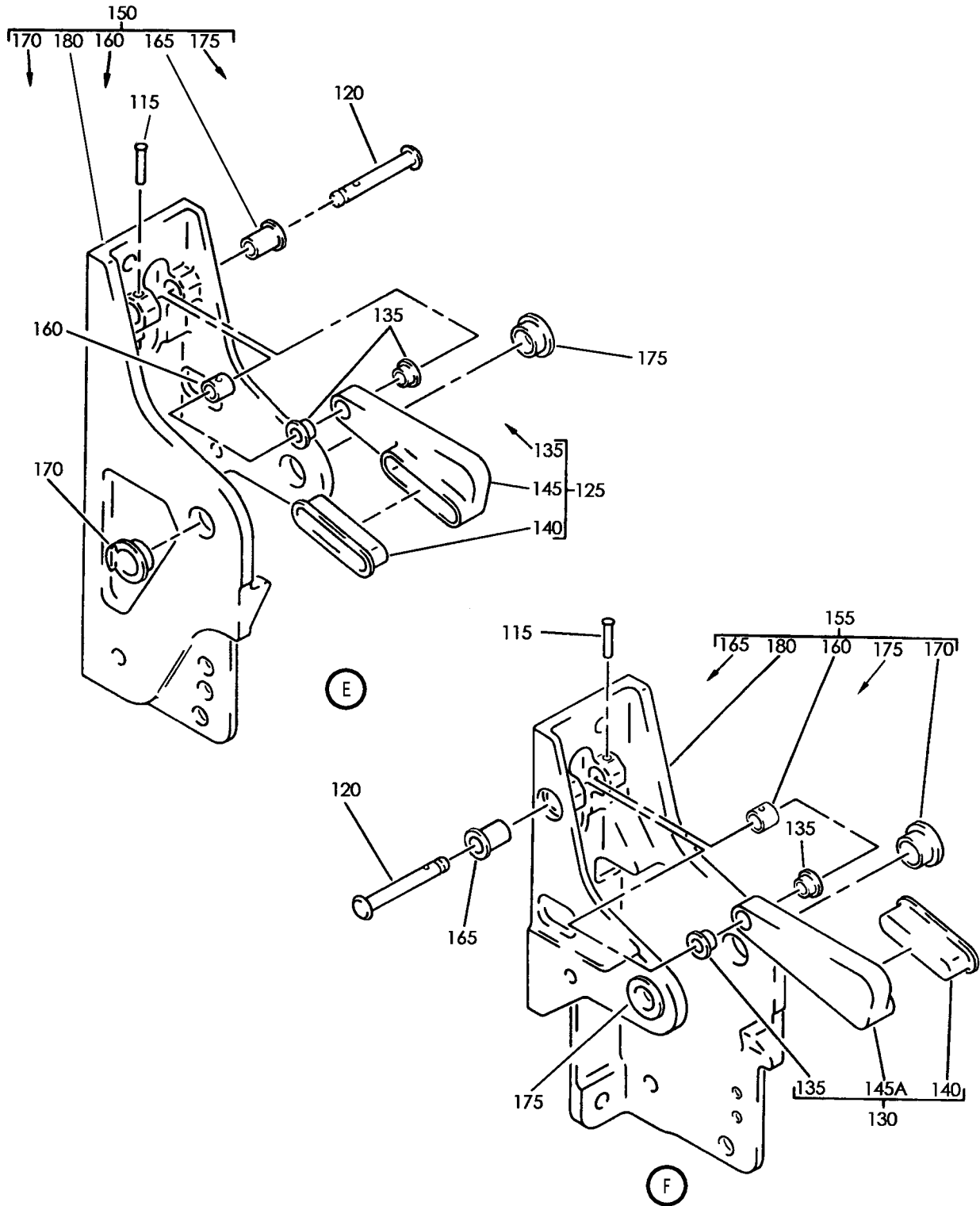
ILLUSTRATED PARTS LIST
 01.1 Page 1080N
 Jul 01/03



Seat Base Assembly
 Figure 6 (Sheet 3)

25-25-04

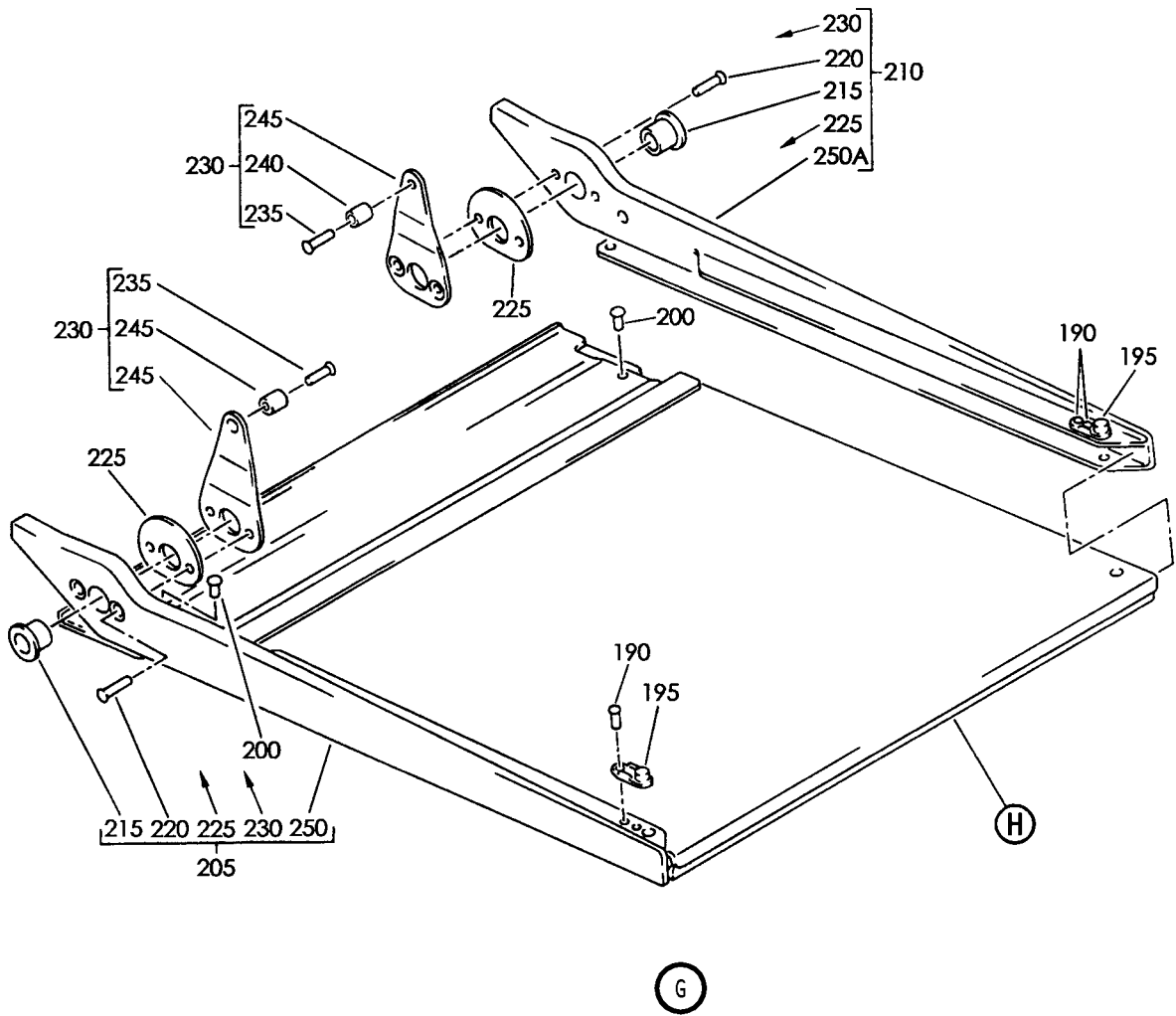
ILLUSTRATED PARTS LIST
 01.1 Page 10800
 Jul 01/03



Seat Base Assembly
 Figure 6 (Sheet 4)

25-25-04

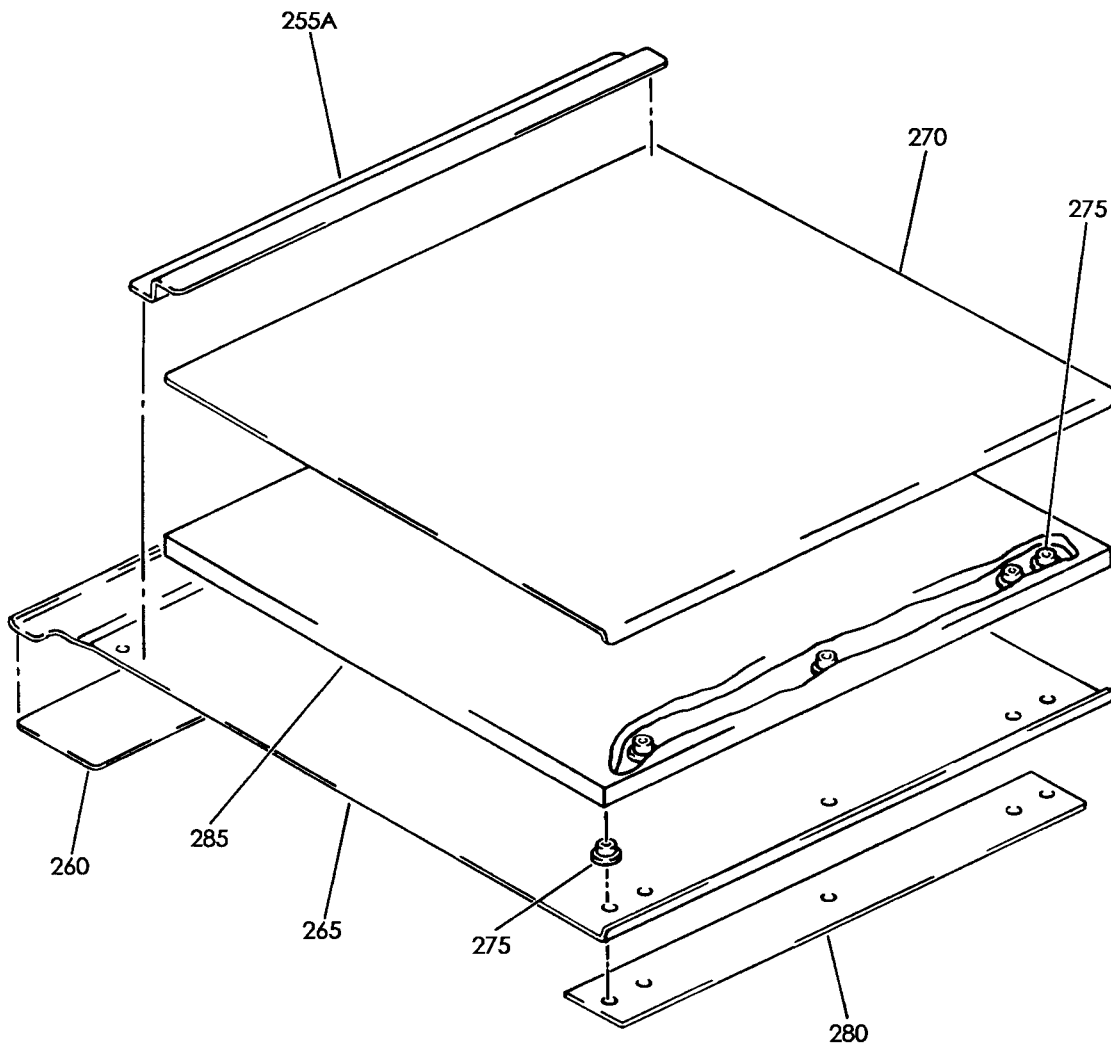
ILLUSTRATED PARTS LIST
 01.1 Page 1080P
 Jul 01/03



Seat Base Assembly
Figure 6 (Sheet 5)

25-25-04

ILLUSTRATED PARTS LIST
01.1 Page 1080Q
Jul 01/03



(H)

Seat Base Assembly
Figure 6 (Sheet 6)

25-25-04

ILLUSTRATED PARTS LIST
01.1 Page 1080R
Jul 01/03

FIG. & ITEM	PART NO.	AIRLINE PART NUMBER	NOMENCLATURE 1234567	EFF CODE	QTY PER ASSY
R 06-1A	414T2100-23		SEAT BASE ASSY	D,F-H AC	1
R 5	BACB30NF4-8		.BOLT	D,F-H AC	2
R 10	BACB28Y4C022		.BUSHING	D,F-H AC	2
R 15	AN960-416		.WASHER	D,F-H AC	2
R 20	BACS18C10-4		.BUSHING-FLANGED	D,F-H AC	2
R 25	MS21042L4		.NUT	D,F-H AC	2
R 30	NAS514P832-6		.SCREW	D,F-H AC	4
R 35	AN960JD8L		.WASHER	D,F-H AC	4
R 40	MS21042L08		.NUT	D,F-H AC	4
R 45	2A1012-3		.STRIKE PLATE- (V31218)	D,F-H AC	2
R 50	27S3-5		.STUD ASSY- (V71286)	D,F-H AC	2
R 55	2600LW		.WASHER- (V71286) (SPEC BACW10X4) (OPT 1127700 (V60119))	D,F-H AC	2
R 60	414T2100-41		.SUB KIT ASSY- (OPT ITEM 80)	D,F-H AC	2
R 65	AS246-1		..BOLT- (V84256)	D,F-H AC	1
R 70	NAS1515H8H		..WASHER	D,F-H AC	1

25-25-04

FIG. & ITEM	PART NO.	AIRLINE PART NUMBER	NOMENCLATURE 1234567	EFF CODE	QTY PER ASSY
R 06-75	AS246-2		..NUT- (V84256)	D,F-H ,AC	1
R 80	414T2100-42		.SUB KIT ASSY- (OPT ITEM 60)	D,F-H ,AC	2
R 85	414T2022-1		..PIN-PIVOT	D,F-H ,AC	1
R 90	MS3217-1050		..CLIP	D,F-H ,AC	1
R 100	414T2101-14		.SLEEVE-SPRING	D,F-H ,AC	2
R 105	414T2105-3		.SPRING-RETURN (OPT ITEM 105A)	D,F-H ,AC	1
R -105A	414T2105-7		.SPRING-RETURN (OPT ITEM 105)	D,F-H ,AC	1
R 110	414T2105-4		.SPRING-RETURN (OPT ITEM 110A)	D,F-H ,AC	1
R -110A	414T2105-8		.SPRING-RETURN (OPT ITEM 110)	D,F-H ,AC	1
R 115	MS16562-16		.PIN	D,F-H ,AC	2
R 120	414T2101-19		.PIN	D,F-H ,AC	2
R 125	414T2101-1		.CAM ASSY	D,F-H ,AC	1
R 130	414T2101-2		.CAM ASSY	D,F-H ,AC	1
R 135	NAS538B4P018		..BUSHING-FLANGE	D,F-H ,AC	2
R 140	414T2101-15		..INSERT-CAM	D,F-H ,AC	1
R 145	414T2102-1		..CAM- (USED ON ITEM 125)	D,F-H ,AC	1
R 145A	414T2102-2		..CAM- (USED ON ITEM 130)	D,F-H ,AC	1

25-25-04

 ILLUSTRATED PARTS LIST
 01.1 Page 1080T
 Jul 01/03

FIG. & ITEM	PART NO.	AIRLINE PART NUMBER	NOMENCLATURE 1234567	EFF CODE	QTY PER ASSY
R 06-150	414T2107-7		.BRACKET ASSY-PIVOT	D,F-H ,AC	1
R 155	414T2107-8		.BRACKET ASSY	D,F-H ,AC	1
R 160	NAS537B4P36		..BUSHING	D,F-H ,AC	1
R 165	NAS538B4P50		..BUSHING	D,F-H ,AC	1
R 170	414T2101-18		..BUSHING	D,F-H ,AC	1
R 175	NAS538B8P017		..BUSHING	D,F-H ,AC	1
R -180	414T2103-5		..BRACKET-PIVOT (USED ON ITEM 150)	D,F-H ,AC	1
R -180A	414T2103-6		..BRACKET-PIVOT (USED ON ITEM 155)	D,F-H ,AC	1
R 185	414T2106-7		.SEAT ASSY-PAN	D,F-H ,AC	1
R 190	AF517-3-3		..RIVET- (V53551) (SPEC BACR15DR3P3) (OPT CCR274SS3-3 (V11815)) (OPT RV570A3-3 (V98996))	D,F-H ,AC	4
R 195	BRF100A3		..NUTPLATE- (V52828) (SPEC BACN10KB3F) (OPT NS103185-02 (V80539)) (OPT RMF9207-3 (V72962)) (OPT T8114S1032S (V11815)) (OPT VN151A1-02 (V92215)) (OPT F2000-3 (V15653))	D,F-H ,AC	2

25-25-04

FIG. & ITEM	PART NO.	AIRLINE PART NUMBER	NOMENCLATURE 1234567	EFF CODE	QTY PER ASSY
R 06-200	BACR15BB4AD		..RIVET- (SIZE DETERMINE ON INST)	D,F-H ,AC	2
R 205	414T2101-24		..SIDE RAIL ASSY	D,F-H ,AC	1
R 210	414T2101-25		..SIDE RAIL ASSY	D,F-H ,AC	1
R 215	BACB28X8M050		...BUSHING-FLANGE	D,F-H ,AC	1
R 220	BACR15BA6AD		...RIVET- (SIZE DETERMINE ON INST)	D,F-H ,AC	2
R 225	414T2101-6		...SHIM	D,F-H ,AC	1
R 230	414T2101-23		...ACTUATOR ASSY	D,F-H ,AC	1
R 235	BACR15BB6DD	RIVET- (SIZE DETERMINE ON INST)	D,F-H ,AC	1
R 240	NAS42DD4-28	SPACER	D,F-H ,AC	1
R 245	414T2101-5	ACTUATOR-CAM	D,F-H ,AC	1
R 250	414T2101-9		...ARM-SUPPORT (USED ON ITEM 205)	D,F-H ,AC	1
R 250A	414T2101-10		...ARM-SUPPORT (USED ON ITEM 210)	D,F-H ,AC	1
R 255	BACR15BB4AD		DELETED		
R 255A	414T2104-2		..BEAM-REAR	D,F-H ,AC	1
R 260	414T2104-5		..DOUBLER	D,F-H ,AC	1
R 265	414T2104-1		..FACE SHEET-LOWER	D,F-H ,AC	1
R 270	414T2104-3		..FACE SHEET-UPPER	D,F-H ,AC	1
R 275	NAS1835A3		..INSERT	D,F-H ,AC	5
R 280	414T2104-6		..SHIM	D,F-H ,AC	1
R 285	414T2104-4		..CORE	D,F-H ,AC	1

- Item Not Illustrated

25-25-04

 ILLUSTRATED PARTS LIST
 01.1 Page 1080V
 Jul 01/03